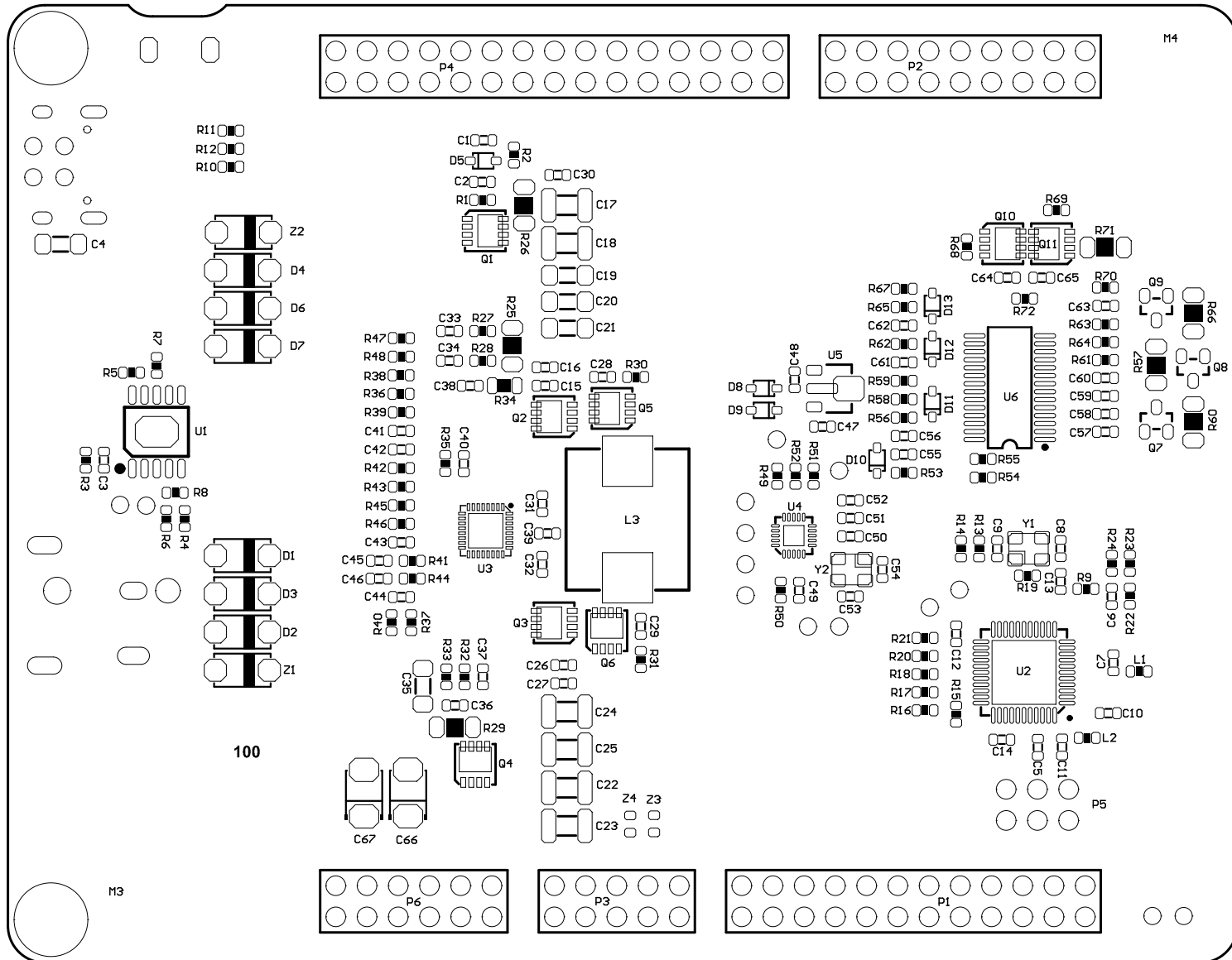
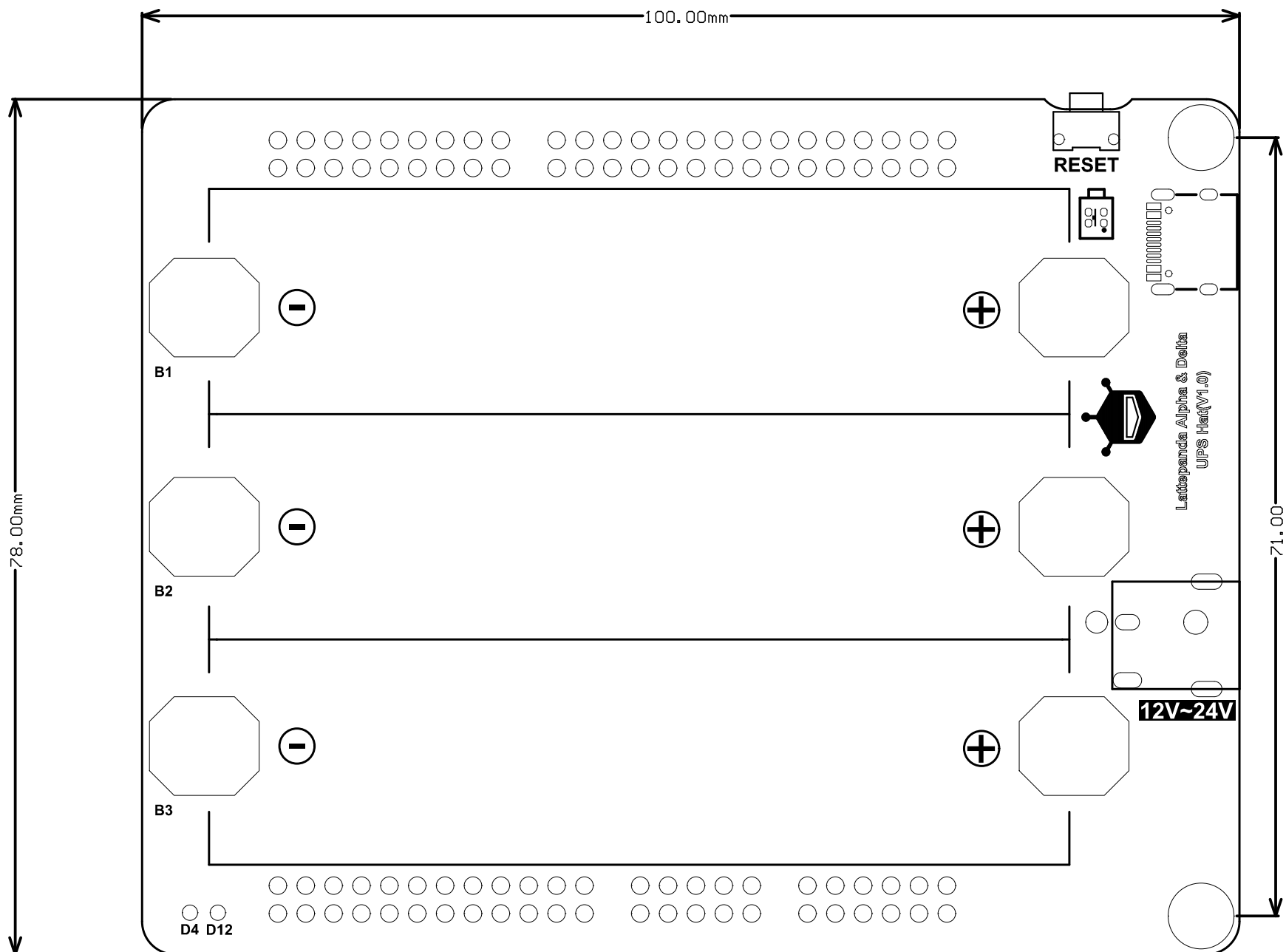


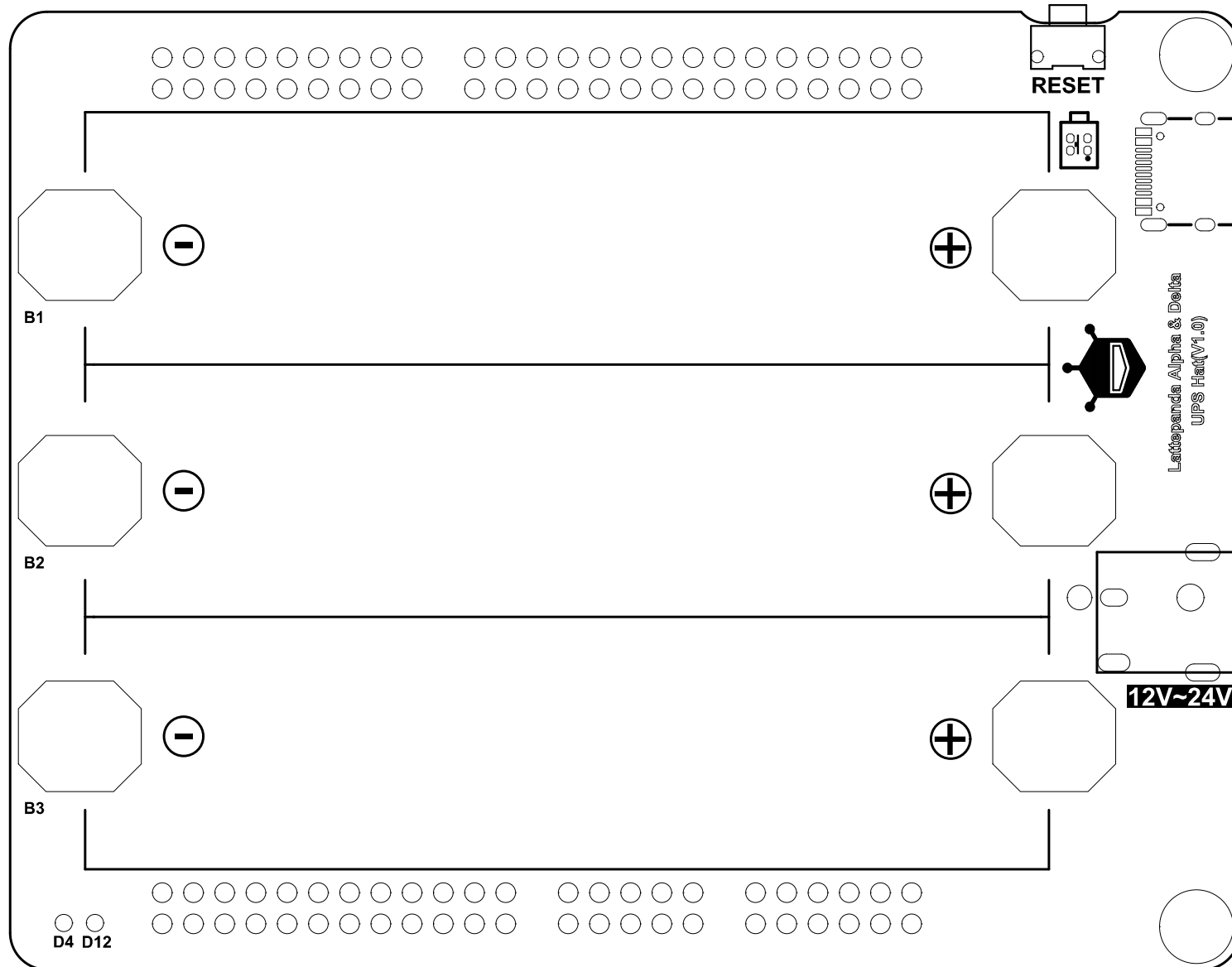
PCB Information	Name:DFR0682 [V1.0.0]	Thickness: 1.6mm
Engineer:Roker-CD	Top SolderMask: Black	Bottom SolderMask: Black
Date:20230406	Top Silkscreen: White	Bottom Silkscreen: White



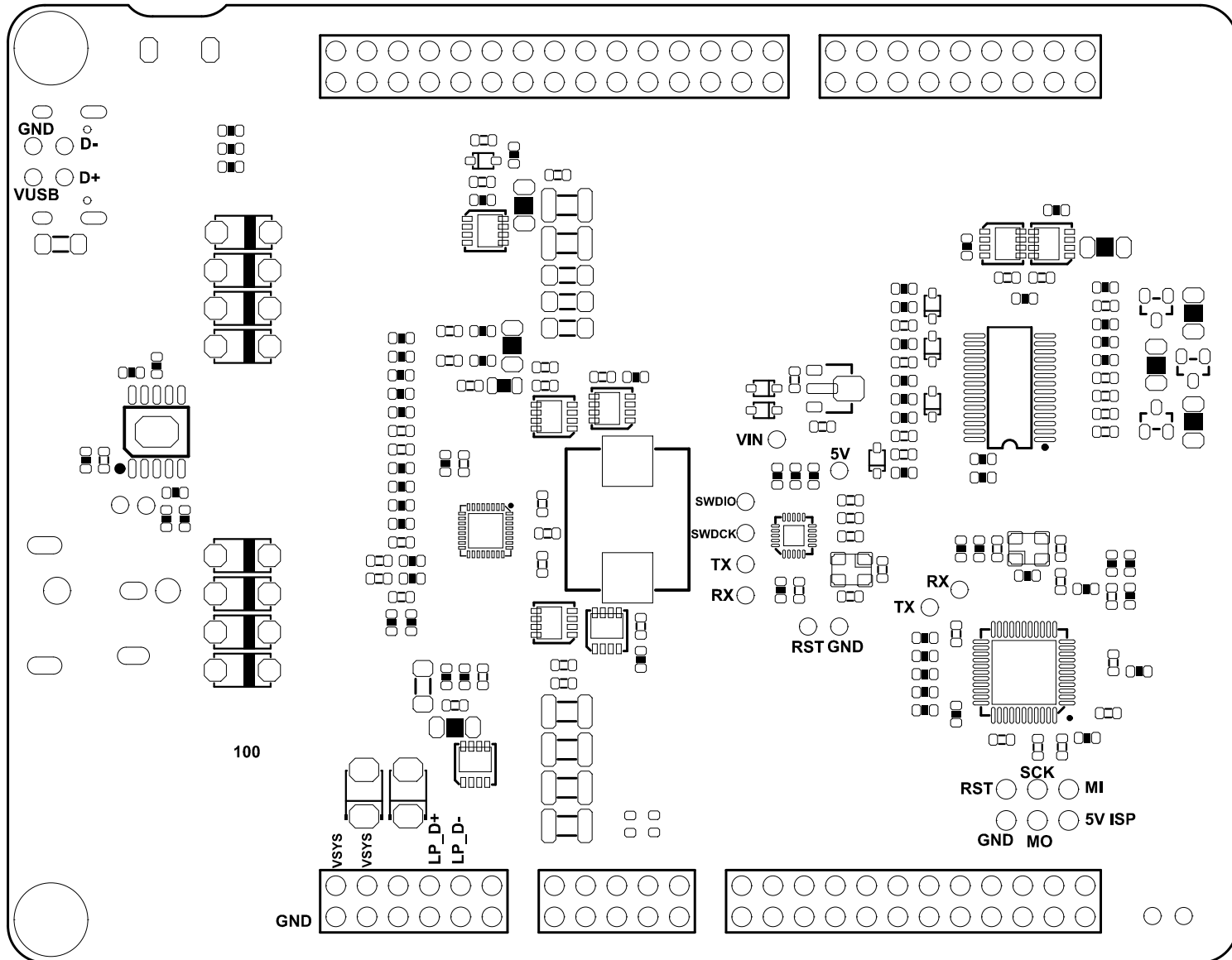
PCB Information	Name:DFR0682 [V1.0.0]	Thickness: 1.6mm
Engineer:Roker-CD	Top SolderMask: Black	Bottom SolderMask: Black
Date:20230406	Top Silkscreen: White	Bottom Silkscreen: White



PCB Information	Name:DFR0682 [V1.0.0]	Thickness: 1.6mm
Engineer:Roker-CD	Top SolderMask: Black	Bottom SolderMask: Black
Date:20230406	Top Silkscreen: White	Bottom Silkscreen: White



PCB Information	Name:DFR0682 [V1.0.0]	Thickness: 1.6mm
Engineer:Roker-CD	Top SolderMask: Black	Bottom SolderMask: Black
Date:20230406	Top Silkscreen: White	Bottom Silkscreen: White



PCB Information	Name:DFR0682 [V1.0.0]	Thickness: 1.6mm
Engineer:Roker-CD	Top SolderMask: Black	Bottom SolderMask: Black
Date:20230406	Top Silkscreen: White	Bottom Silkscreen: White