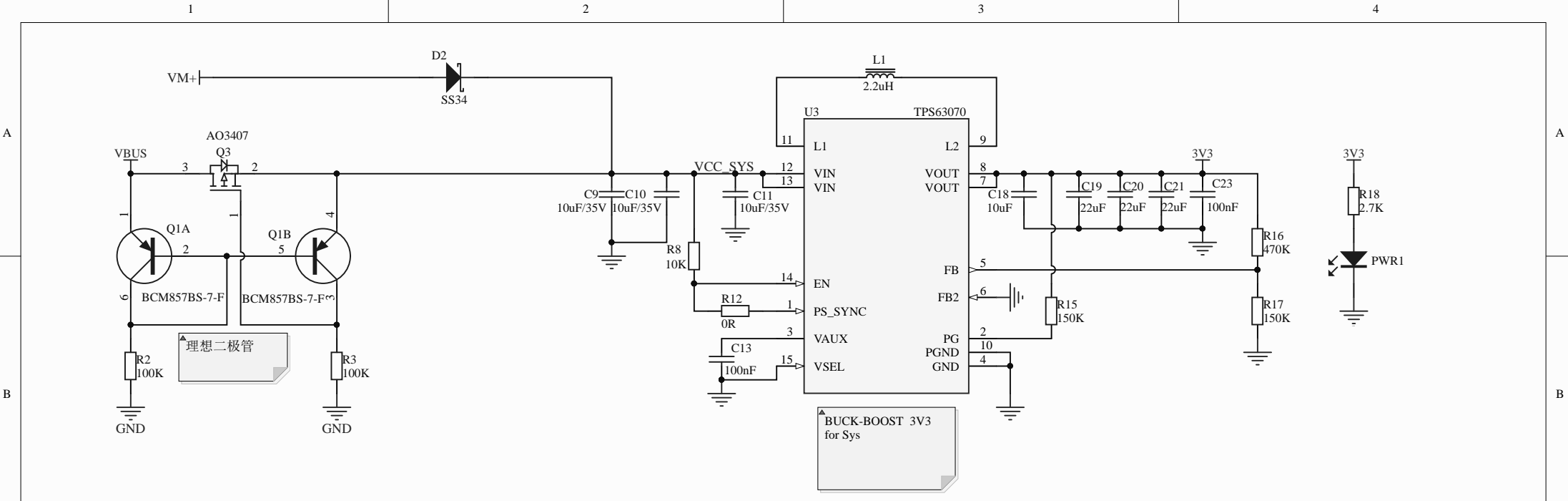
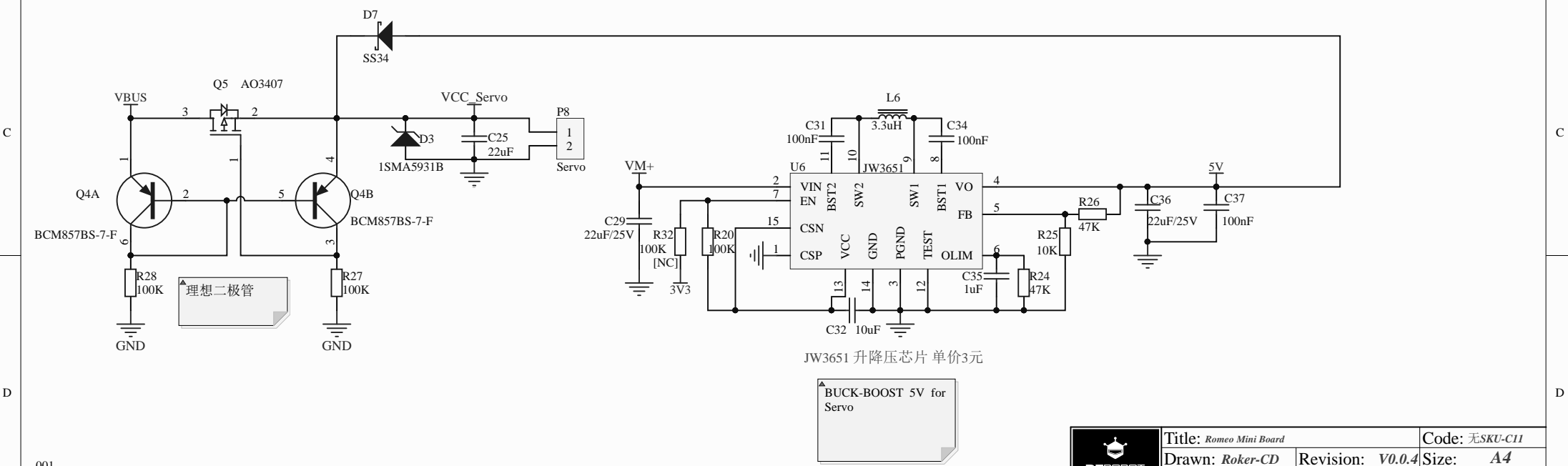


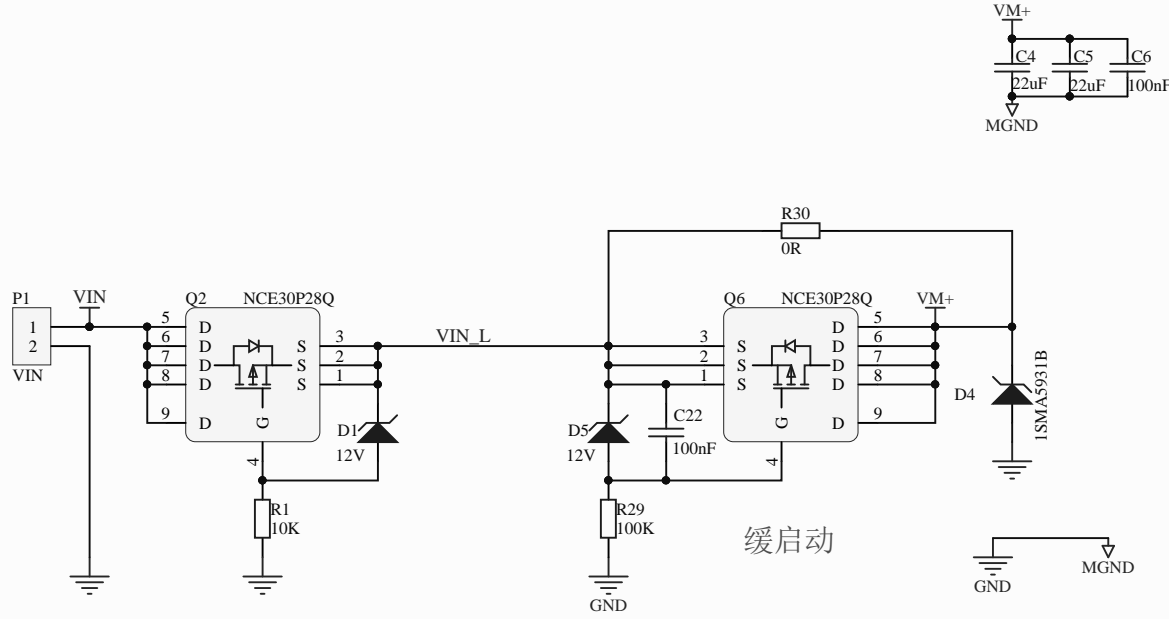
扩展IO



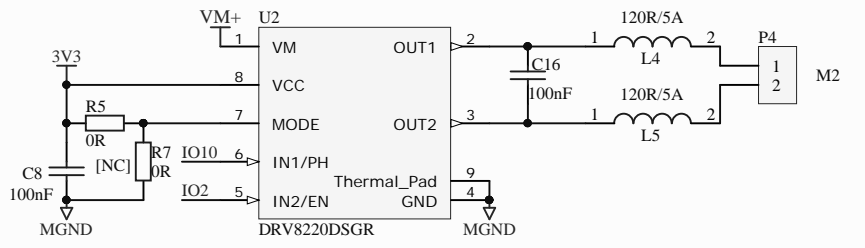
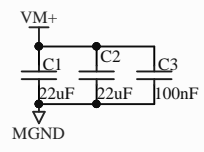
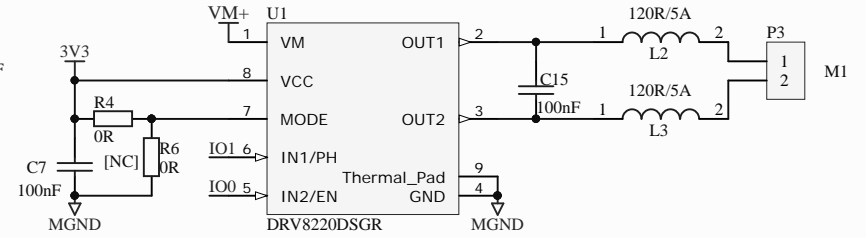
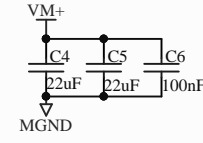
TPS63070 升降压芯片 单价5元

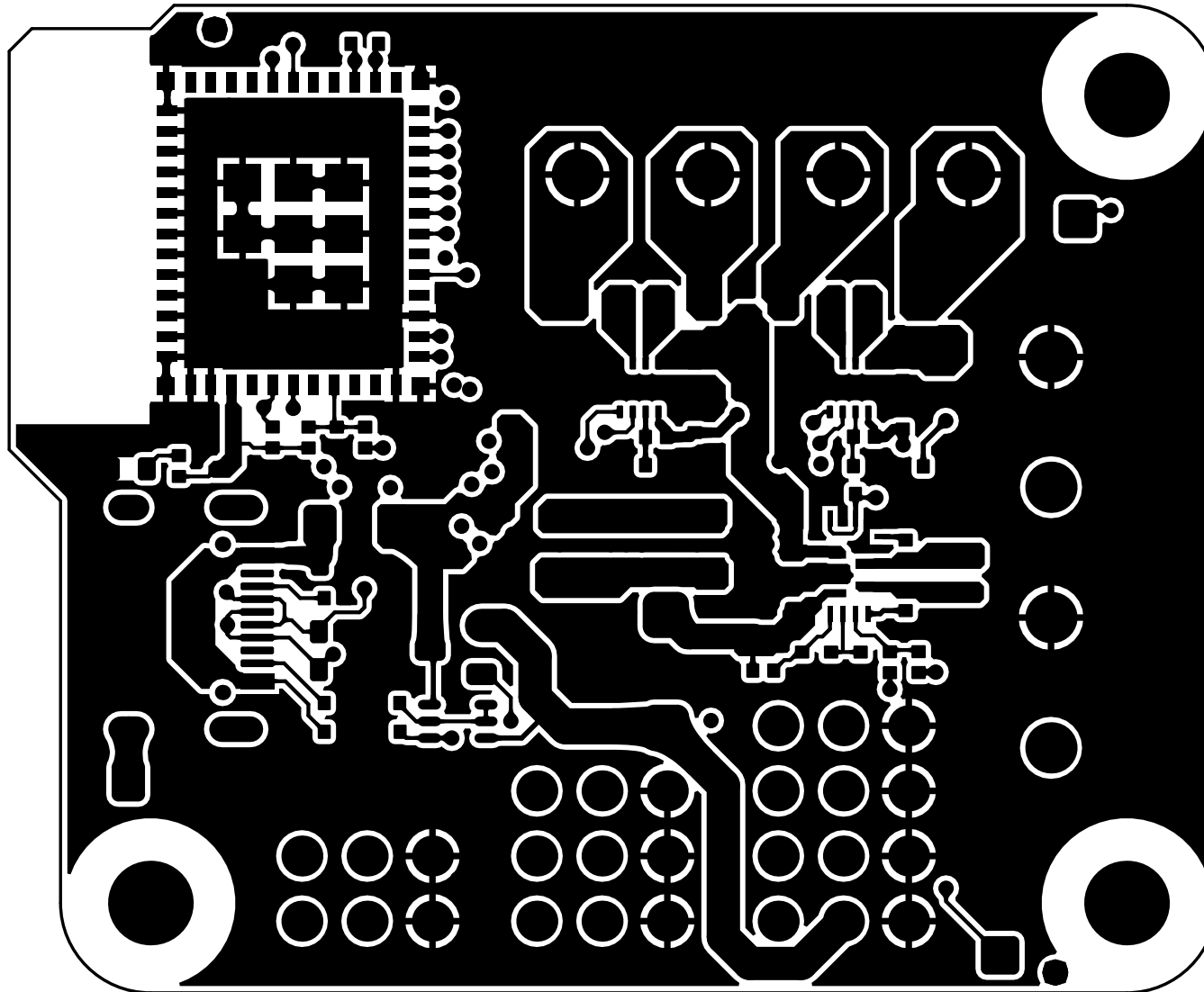


JW3651 升降压芯片 单价3元

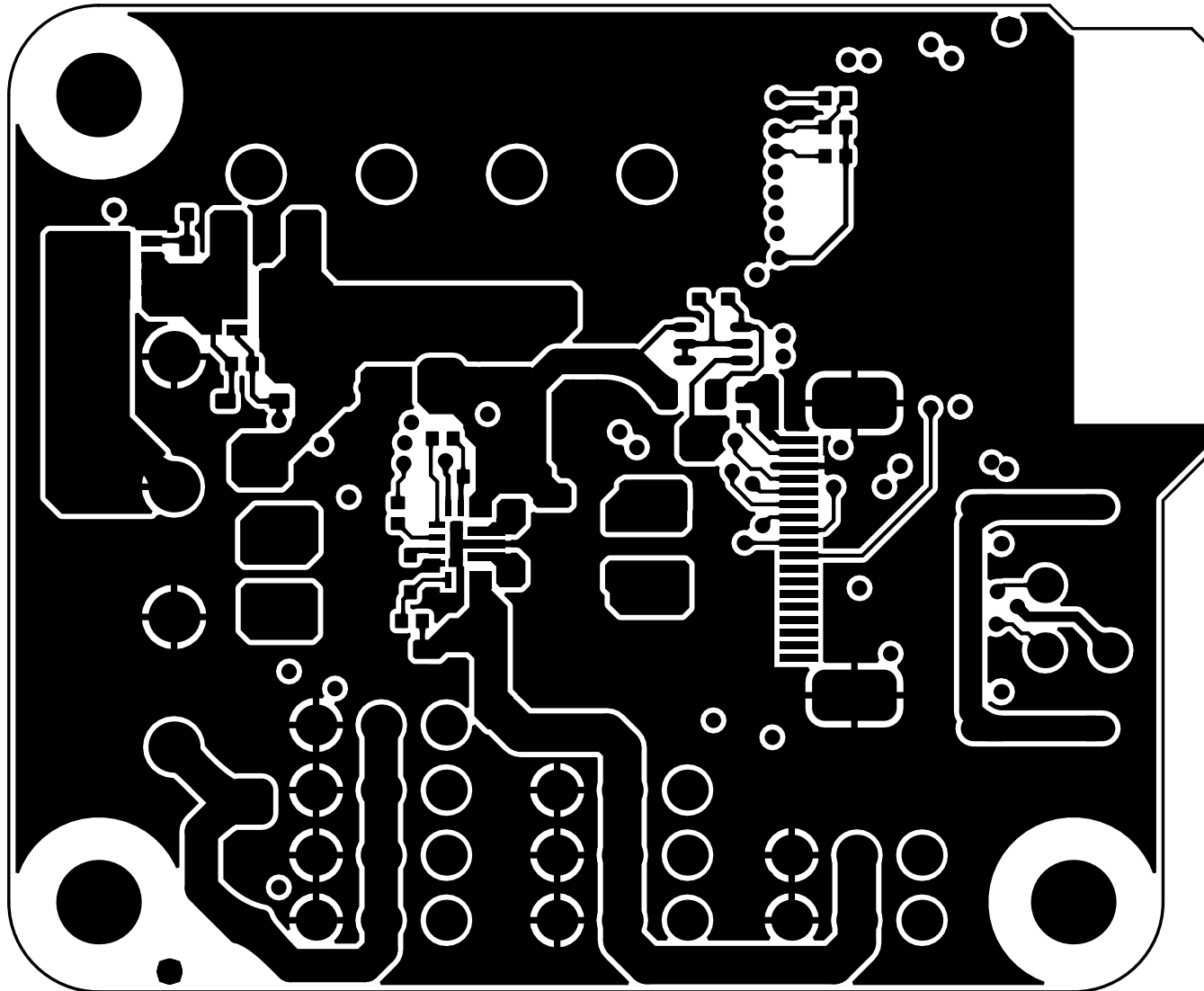


缓启动

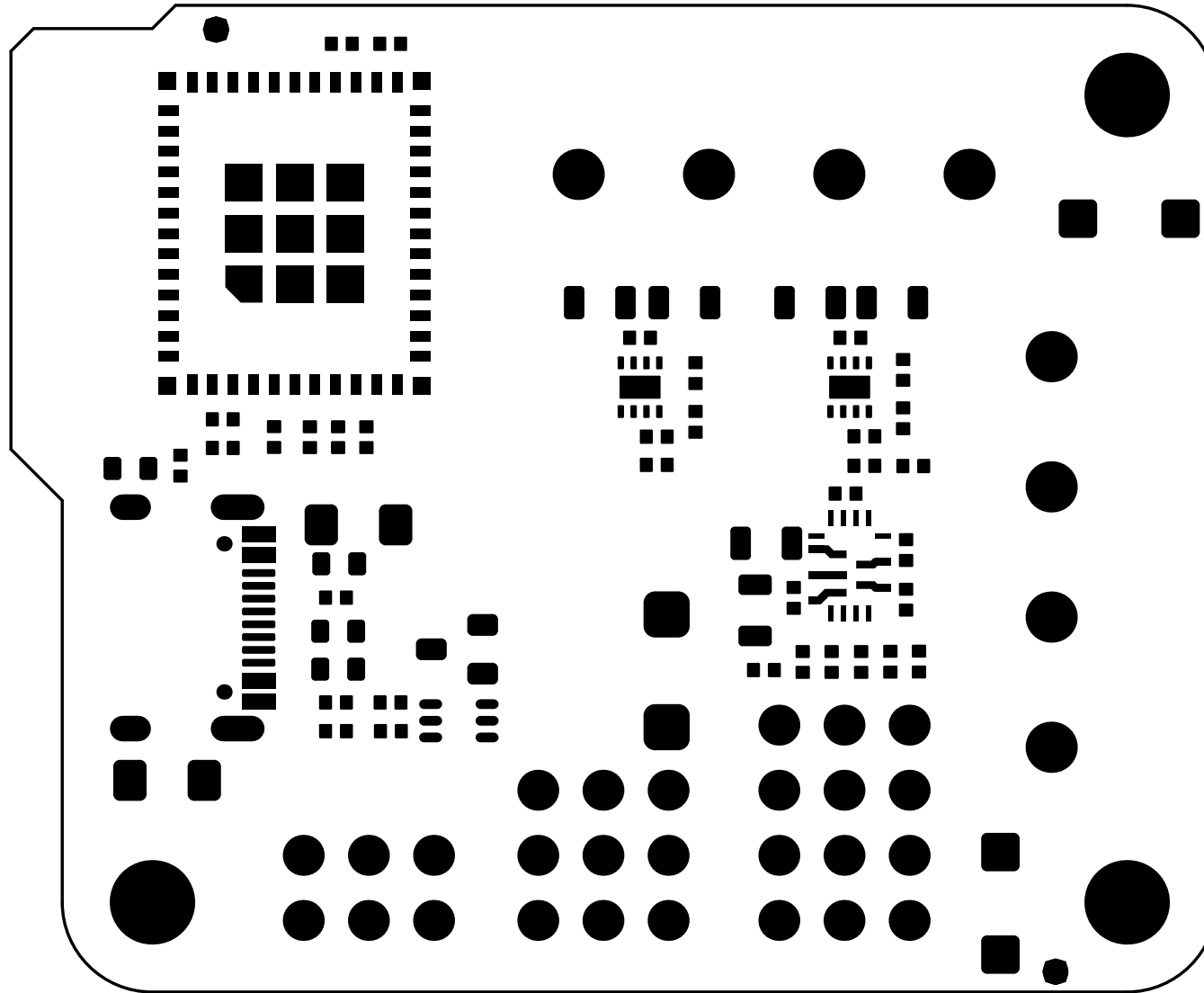




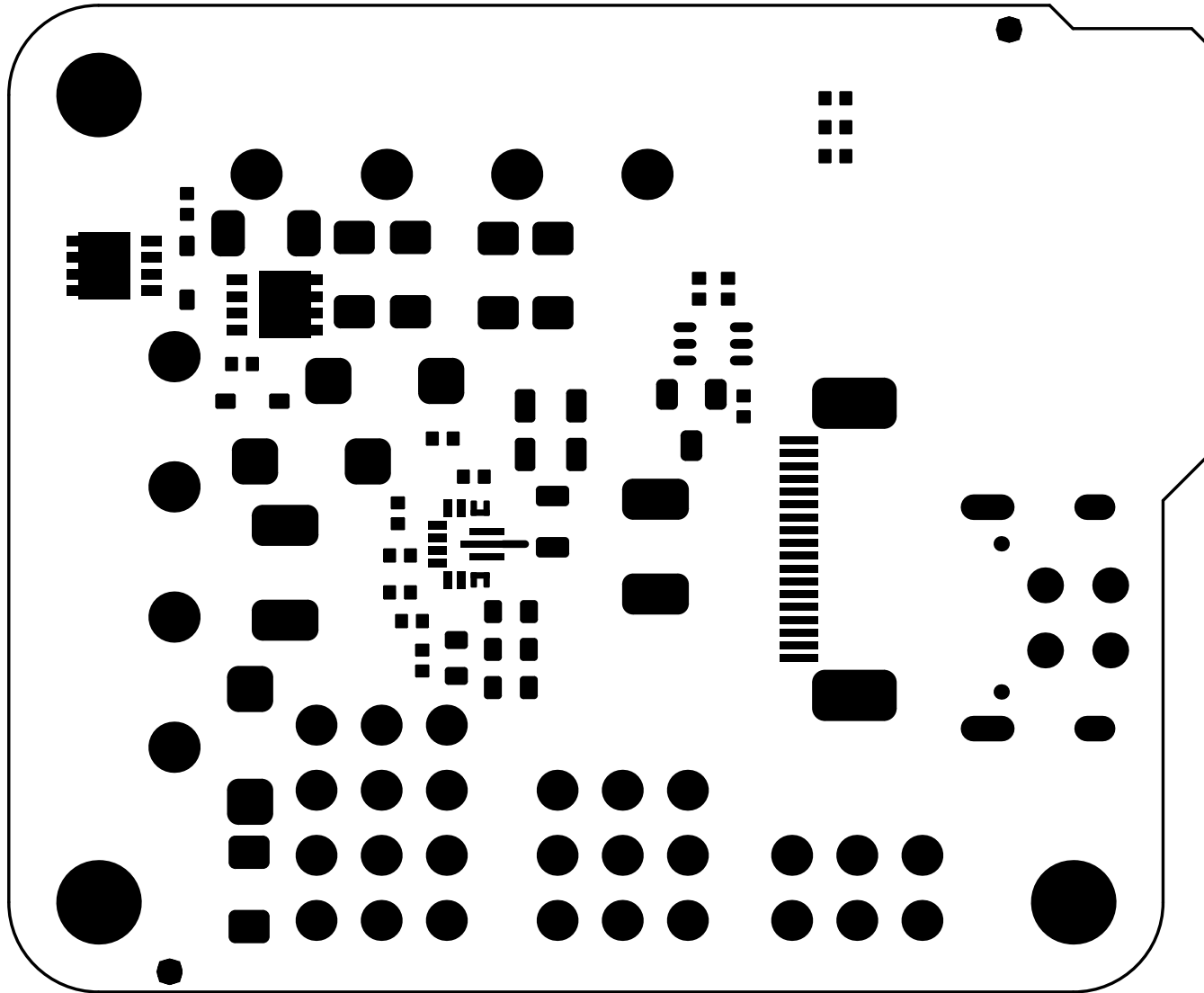
PCB Information	Name:无SKU-C11[V0.0.4]	Thickness: 1.6mm
Engineer:lfwag_CD	Top SolderMask: Black	Bottom SolderMask: Black
Date:20230323	Top Silkscreen: White	Bottom Silkscreen: White



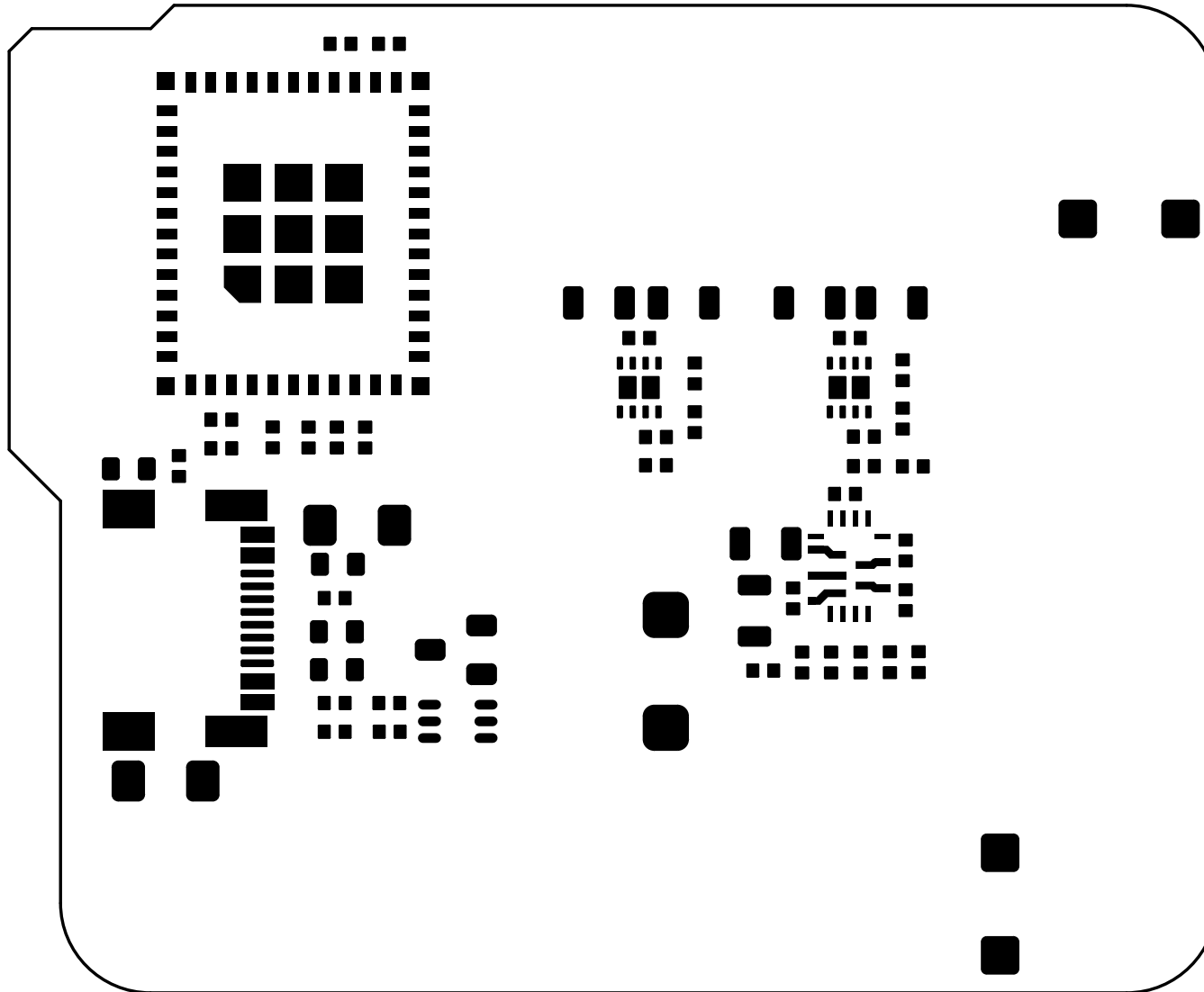
PCB Information	Name:无SKU-C11[V0.0.4]	Thickness: 1.6mm
Engineer:lhwag_CD	Top SolderMask: Black	Bottom SolderMask: Black
Date:20230323	Top Silkscreen: White	Bottom Silkscreen: White



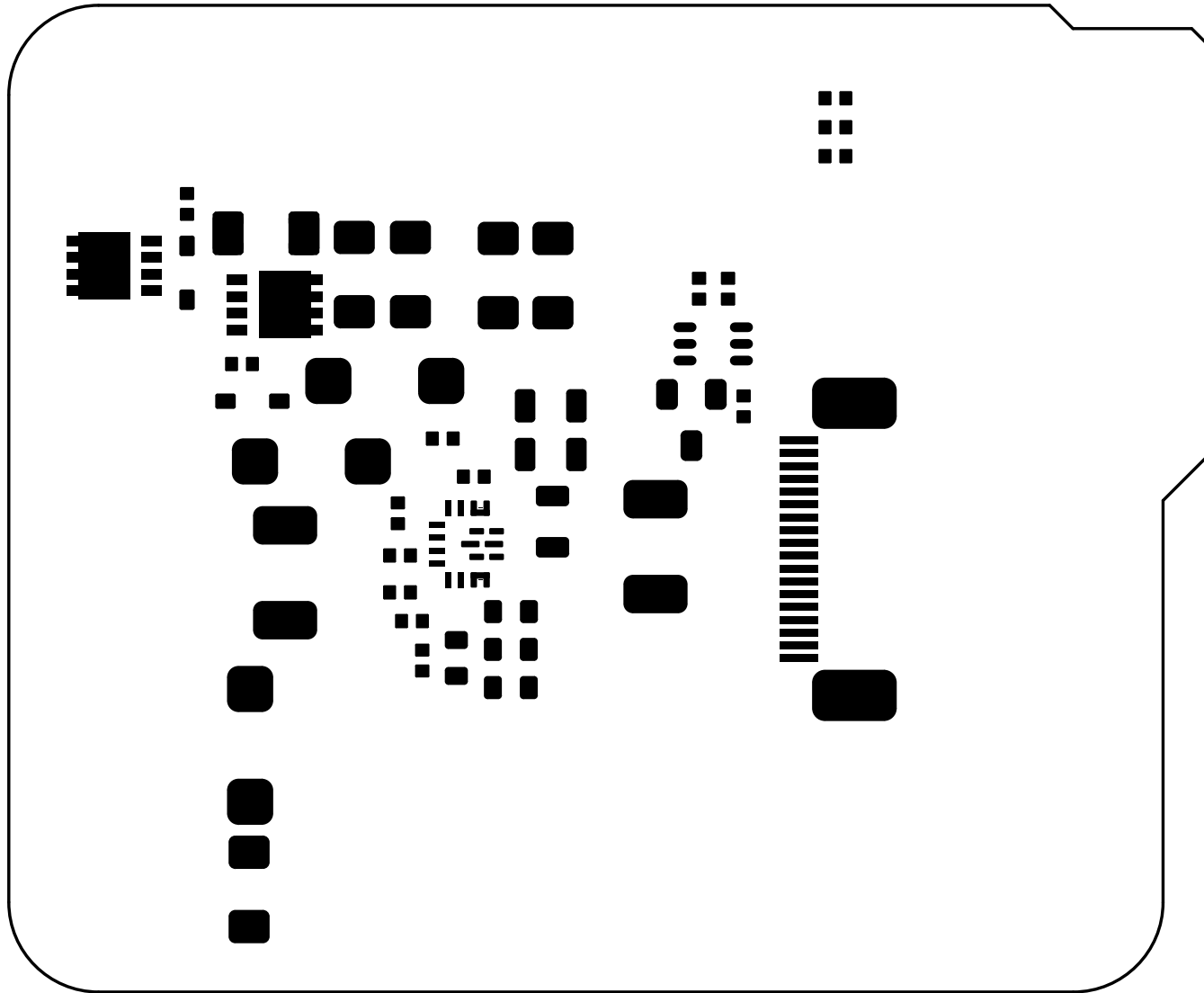
PCB Information	Name:无SKU-C11[V0.0.4]	Thickness: 1.6mm
Engineer:lfwag_CD	Top SolderMask: Black	Bottom SolderMask: Black
Date:20230323	Top Silkscreen: White	Bottom Silkscreen: White



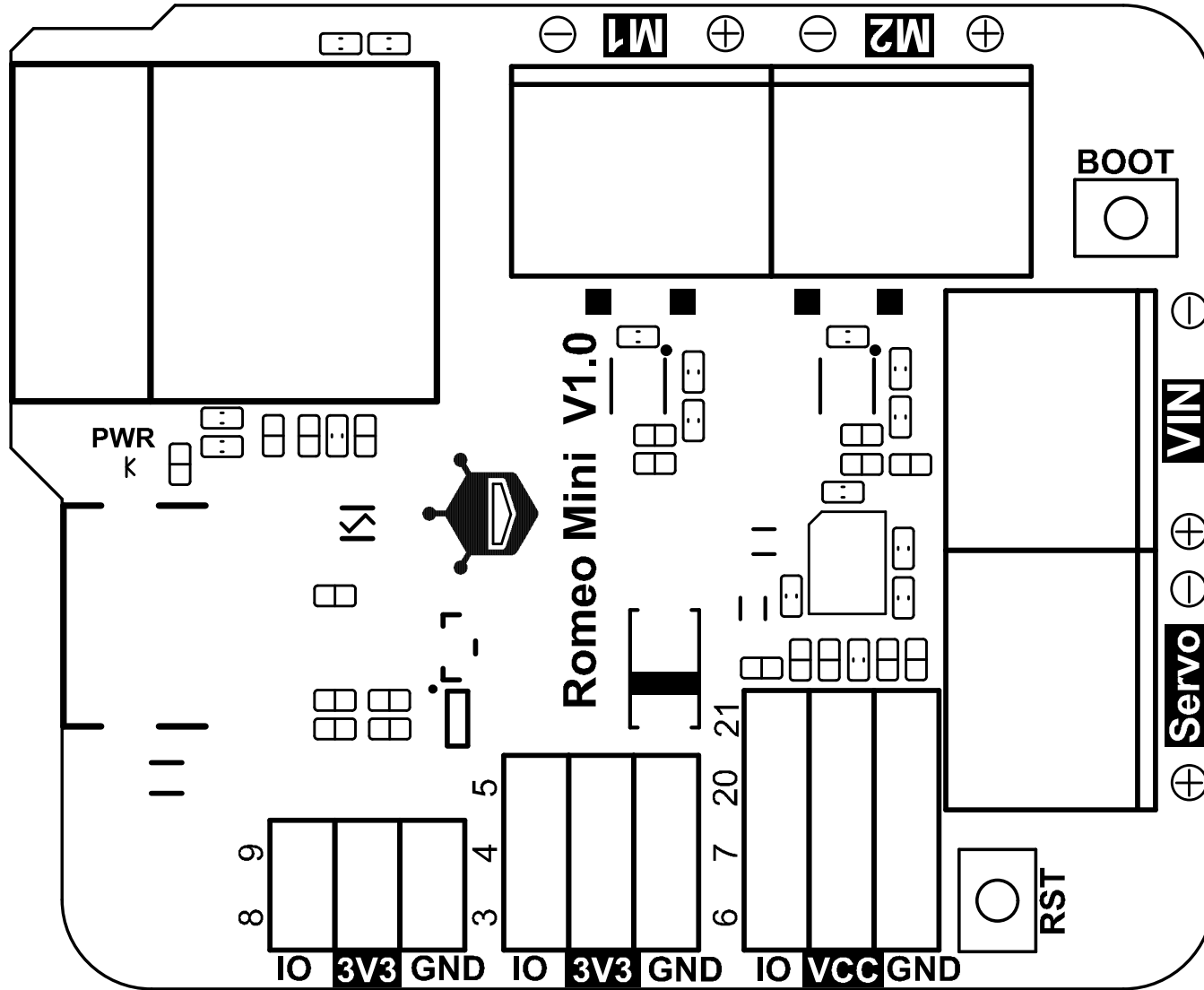
PCB Information	Name:无SKU-C11[V0.0.4]	Thickness: 1.6mm
Engineer:lfgwag_CD	Top SolderMask: Black	Bottom SolderMask: Black
Date:20230323	Top Silkscreen: White	Bottom Silkscreen: White



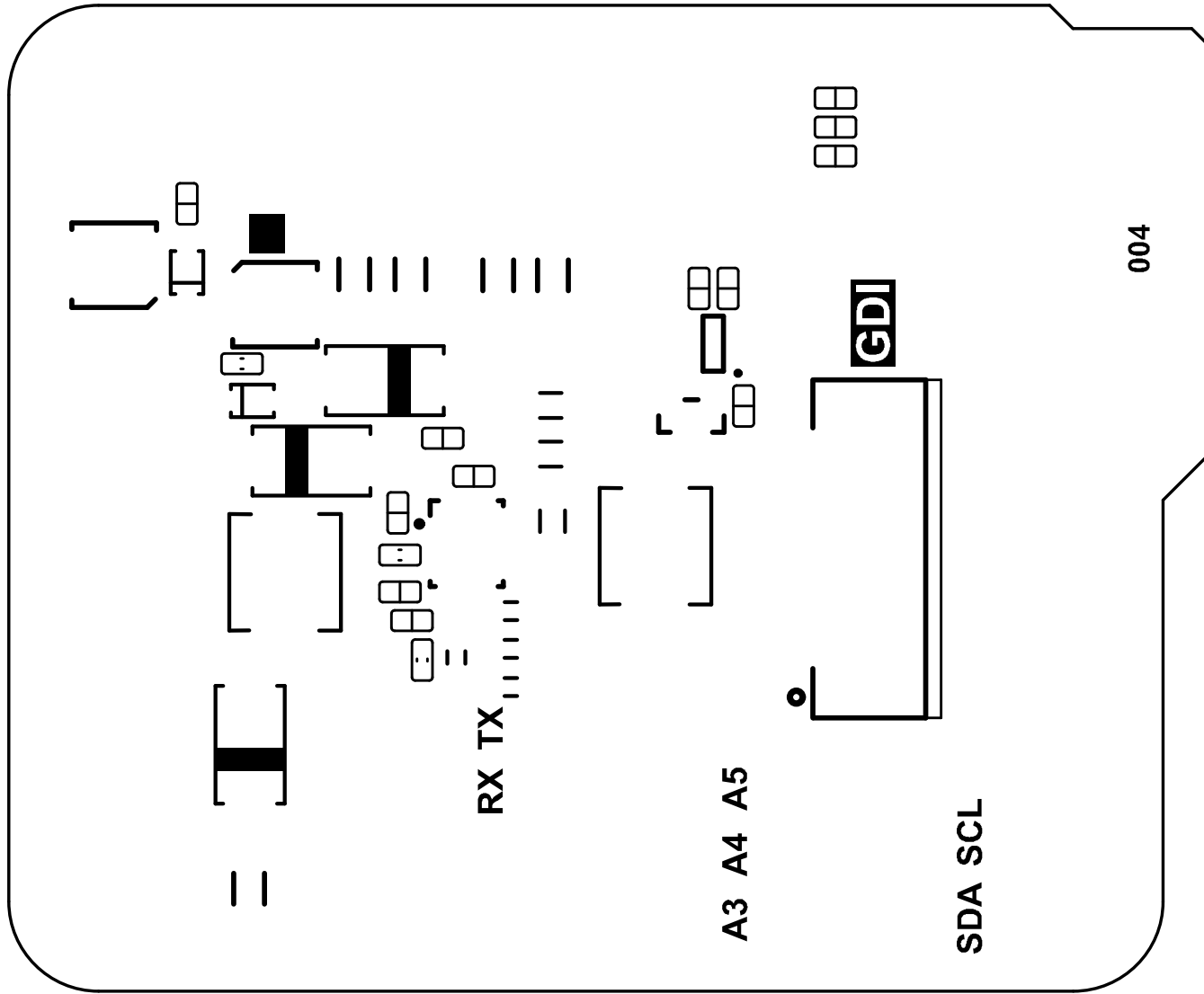
PCB Information	Name:无SKU-C11[V0.0.4]	Thickness: 1.6mm
Engineer:lfwag_CD	Top SolderMask: Black	Bottom SolderMask: Black
Date:20230323	Top Silkscreen: White	Bottom Silkscreen: White



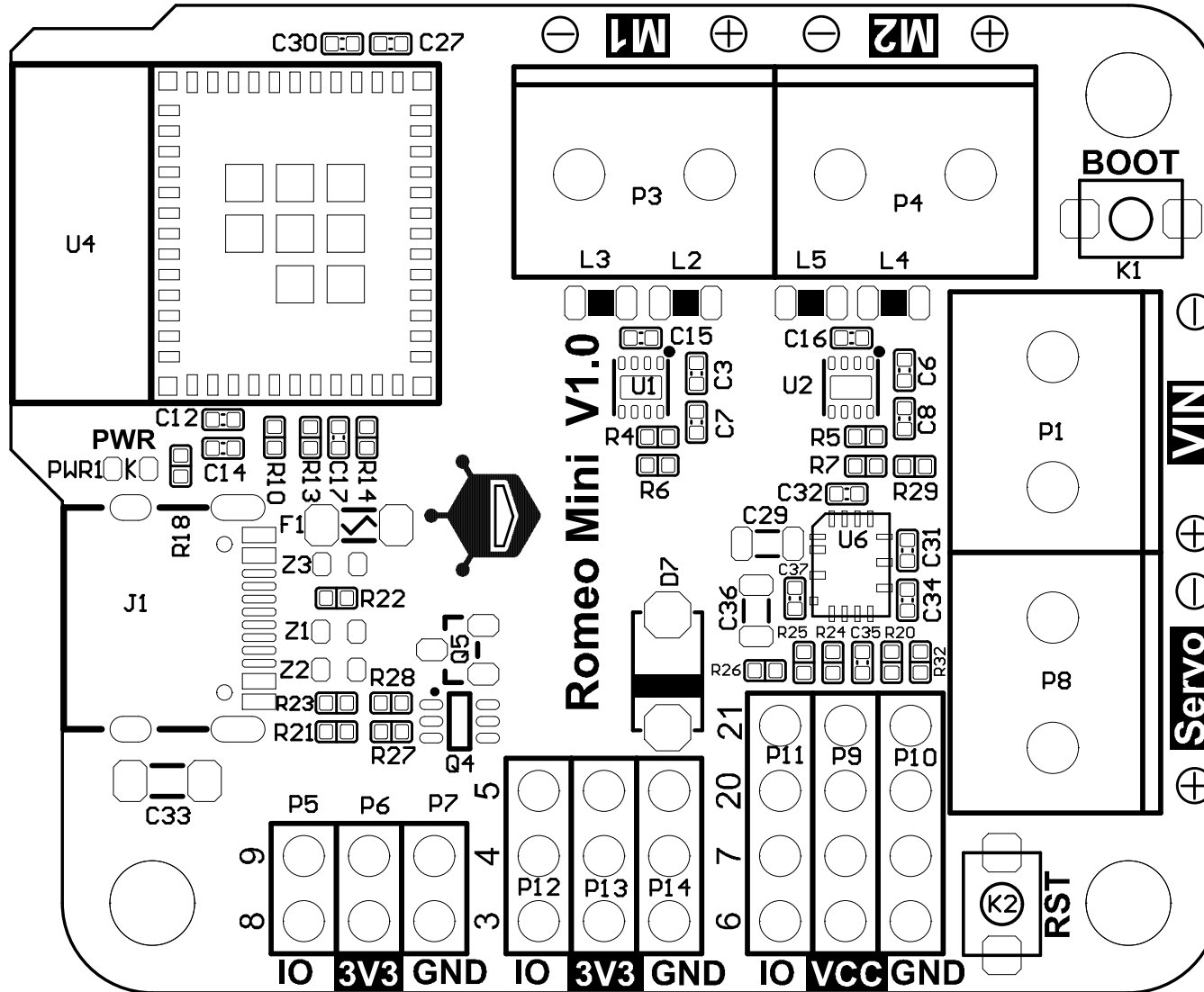
PCB Information	Name:无SKU-C11[V0.0.4]	Thickness: 1.6mm
Engineer:lfwag_CD	Top SolderMask: Black	Bottom SolderMask: Black
Date:20230323	Top Silkscreen: White	Bottom Silkscreen: White



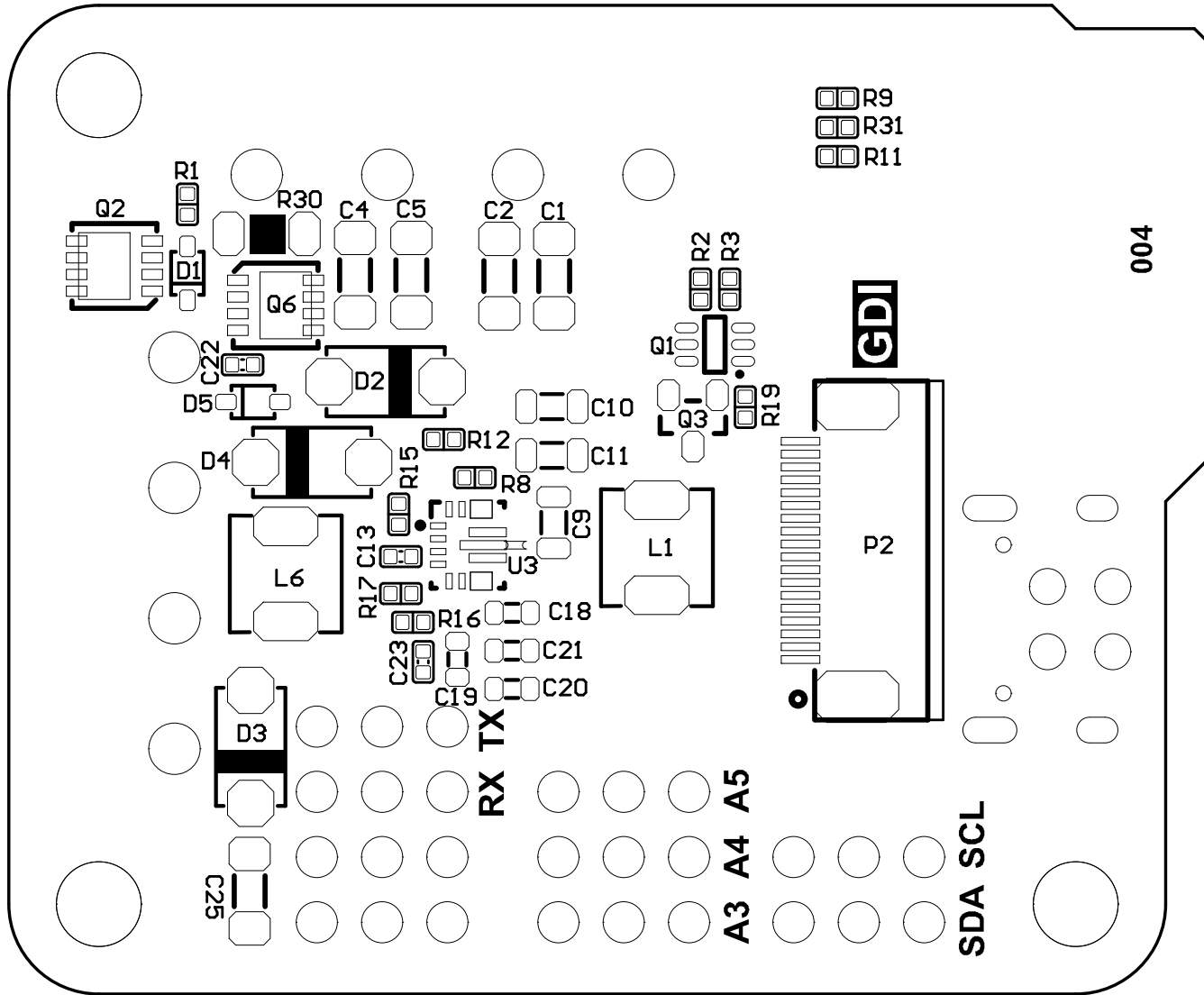
PCB Information	Name:无SKU-C11[V0.0.4]	Thickness: 1.6mm
Engineer:lfwag_CD	Top SolderMask: Black	Bottom SolderMask: Black
Date:20230323	Top Silkscreen: White	Bottom Silkscreen: White



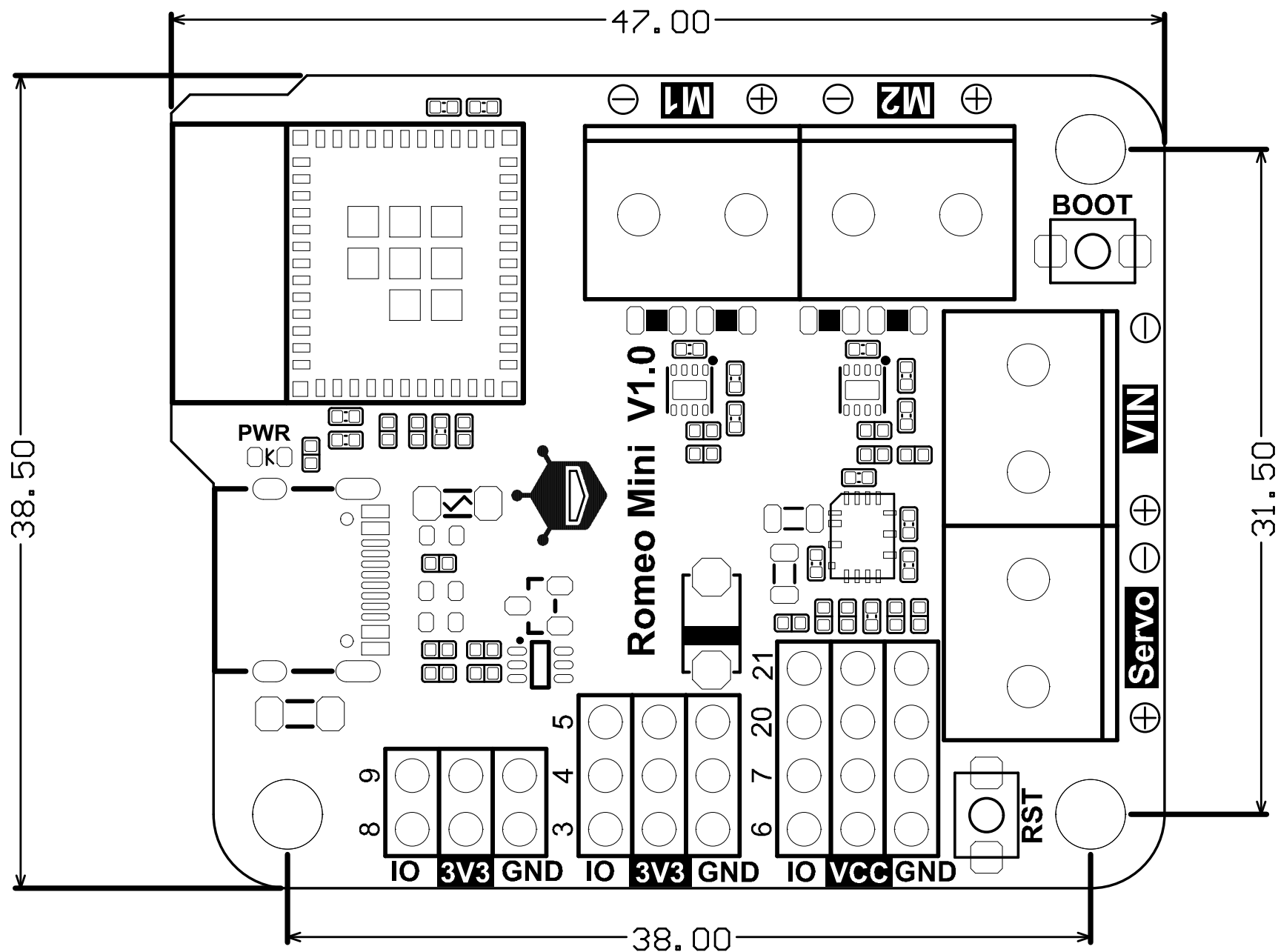
PCB Information	Name:无SKU-C11[V0.0.4]	Thickness: 1.6mm
Engineer:lfwag_CD	Top SolderMask: Black	Bottom SolderMask: Black
Date:20230323	Top Silkscreen: White	Bottom Silkscreen: White



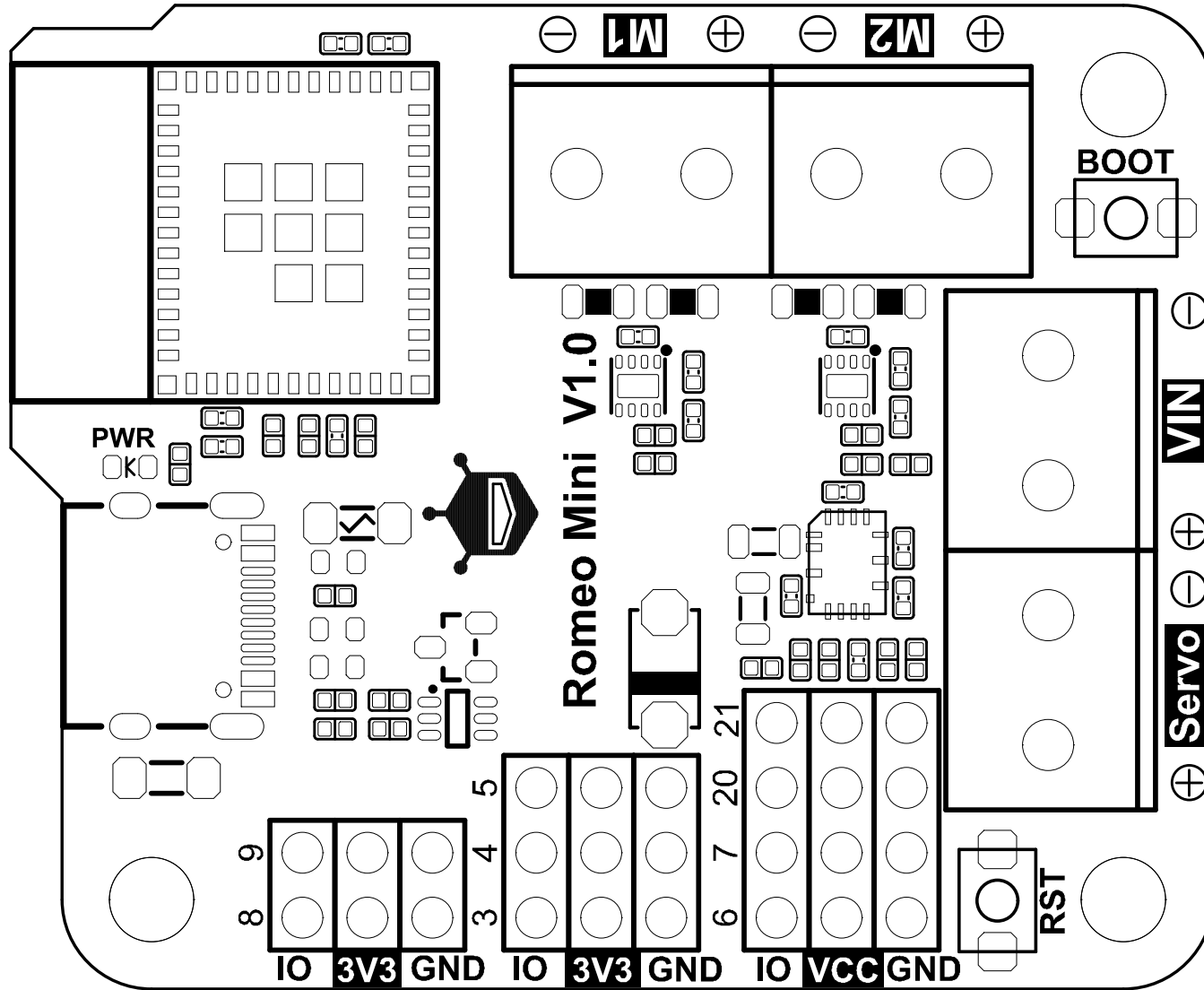
PCB Information	Name:无SKU-C11[V0.0.4]	Thickness: 1.6mm
Engineer:lhwag_CD	Top SolderMask: Black	Bottom SolderMask: Black
Date:20230323	Top Silkscreen: White	Bottom Silkscreen: White



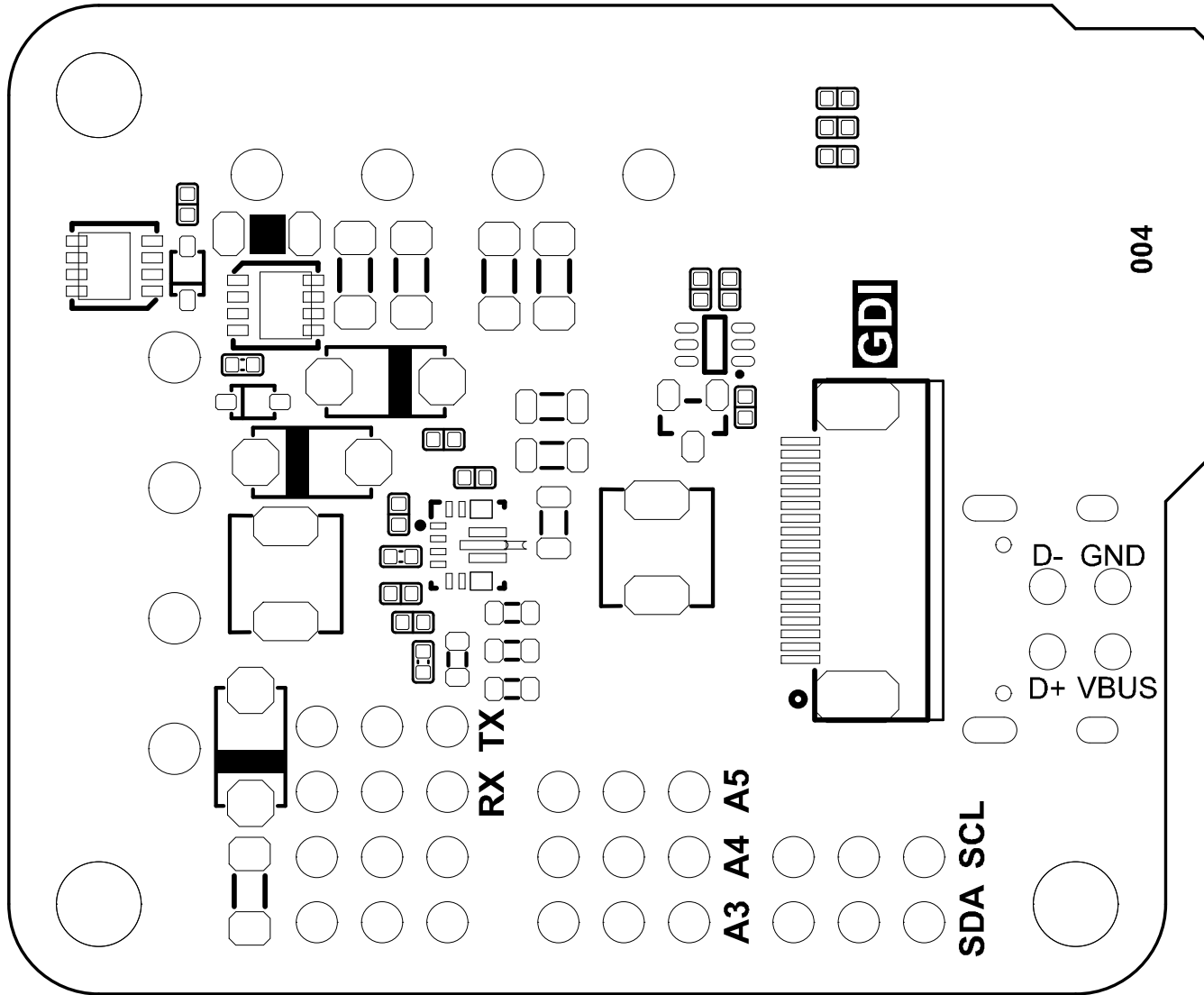
PCB Information	Name:无SKU-C11[V0.0.4]	Thickness: 1.6mm
Engineer:lhwag_CD	Top SolderMask: Black	Bottom SolderMask: Black
Date:20230323	Top Silkscreen: White	Bottom Silkscreen: White



PCB Information	Name:无SKU-C11[V0.0.4]	Thickness: 1.6mm
Engineer:lfwag_CD	Top SolderMask: Black	Bottom SolderMask: Black
Date:20230323	Top Silkscreen: White	Bottom Silkscreen: White



PCB Information	Name:无SKU-C11[V0.0.4]	Thickness: 1.6mm
Engineer:lfwag_CD	Top SolderMask: Black	Bottom SolderMask: Black
Date:20230323	Top Silkscreen: White	Bottom Silkscreen: White



PCB Information	Name:无SKU-C11[V0.0.4]	Thickness: 1.6mm
Engineer:lfwag_CD	Top SolderMask: Black	Bottom SolderMask: Black
Date:20230323	Top Silkscreen: White	Bottom Silkscreen: White