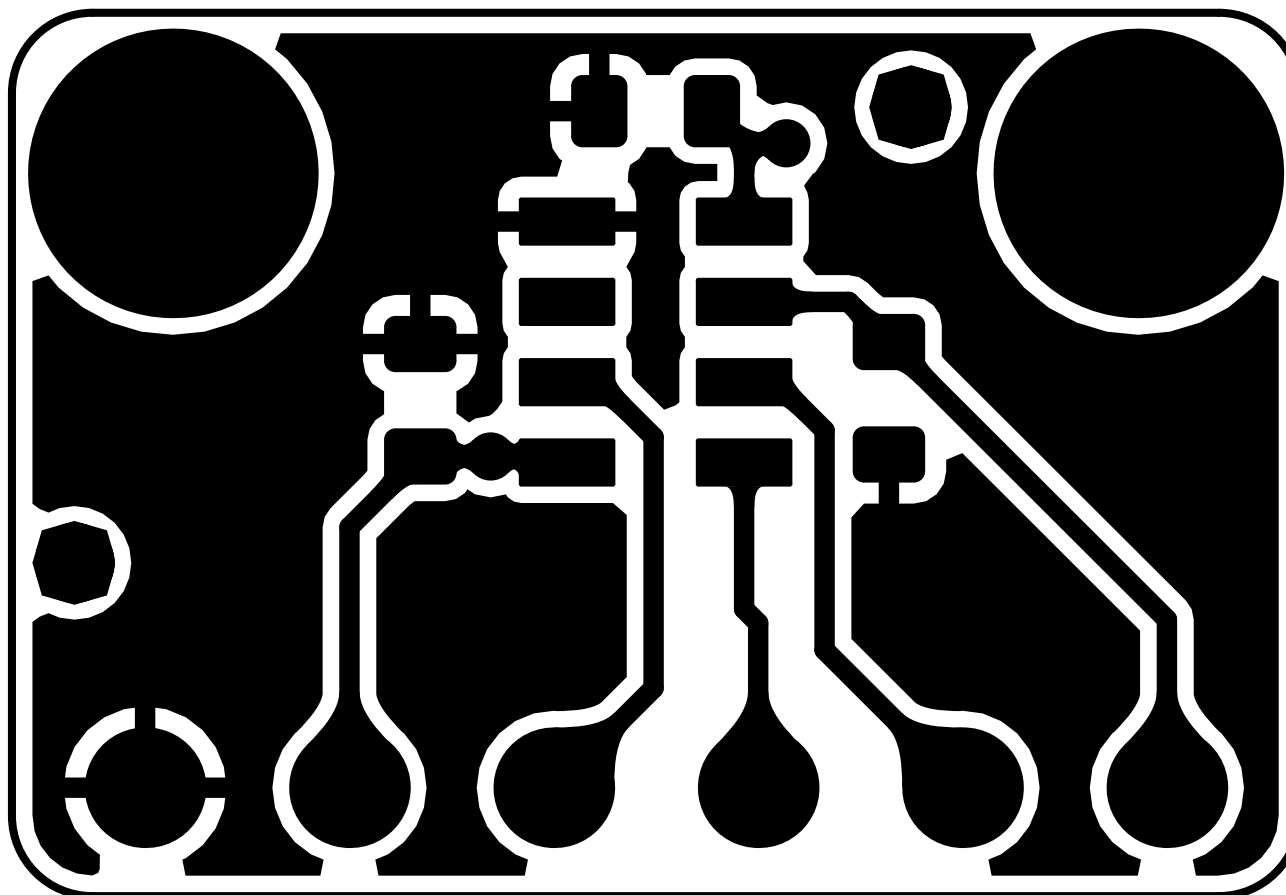
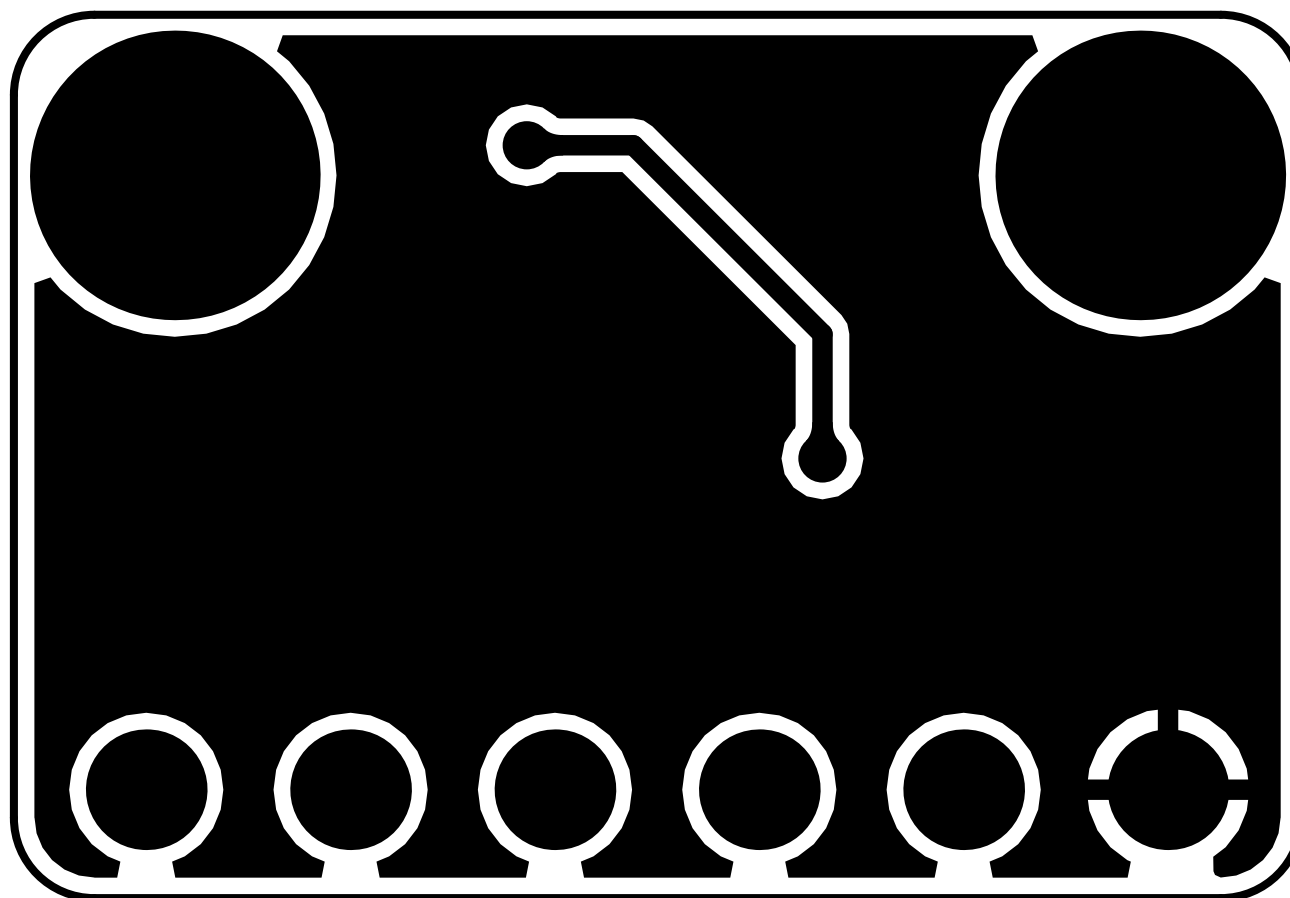


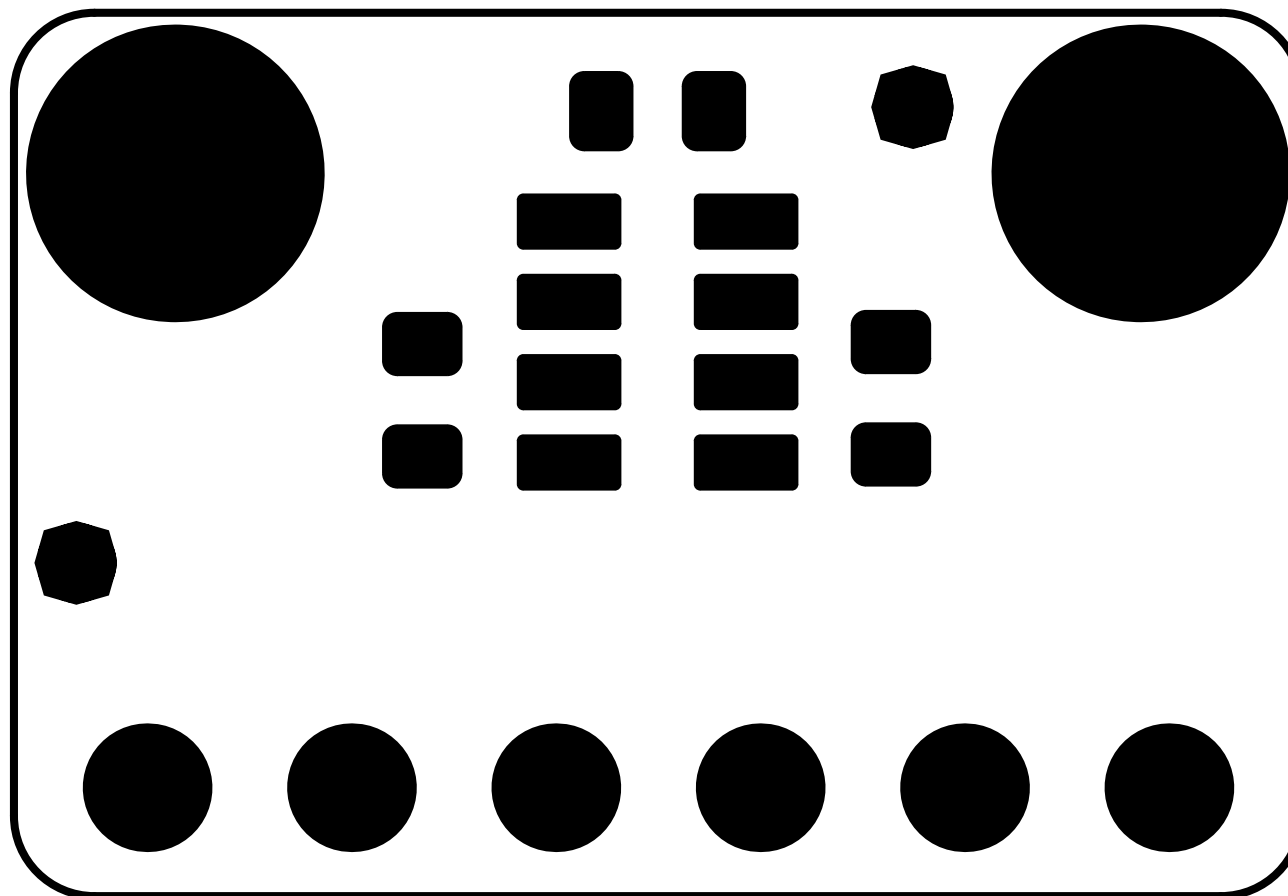
Title: <i>12S MEMS Microphone</i>	Code: <i>SEN0526</i>
Drawn: <i>HDJ-CD</i>	Revision: <i>V1.0</i>
Page: <i>1 of 1</i>	Size: <i>A4</i>
Date: <i>2022/8/8</i>	Time: <i>14:57:11</i>



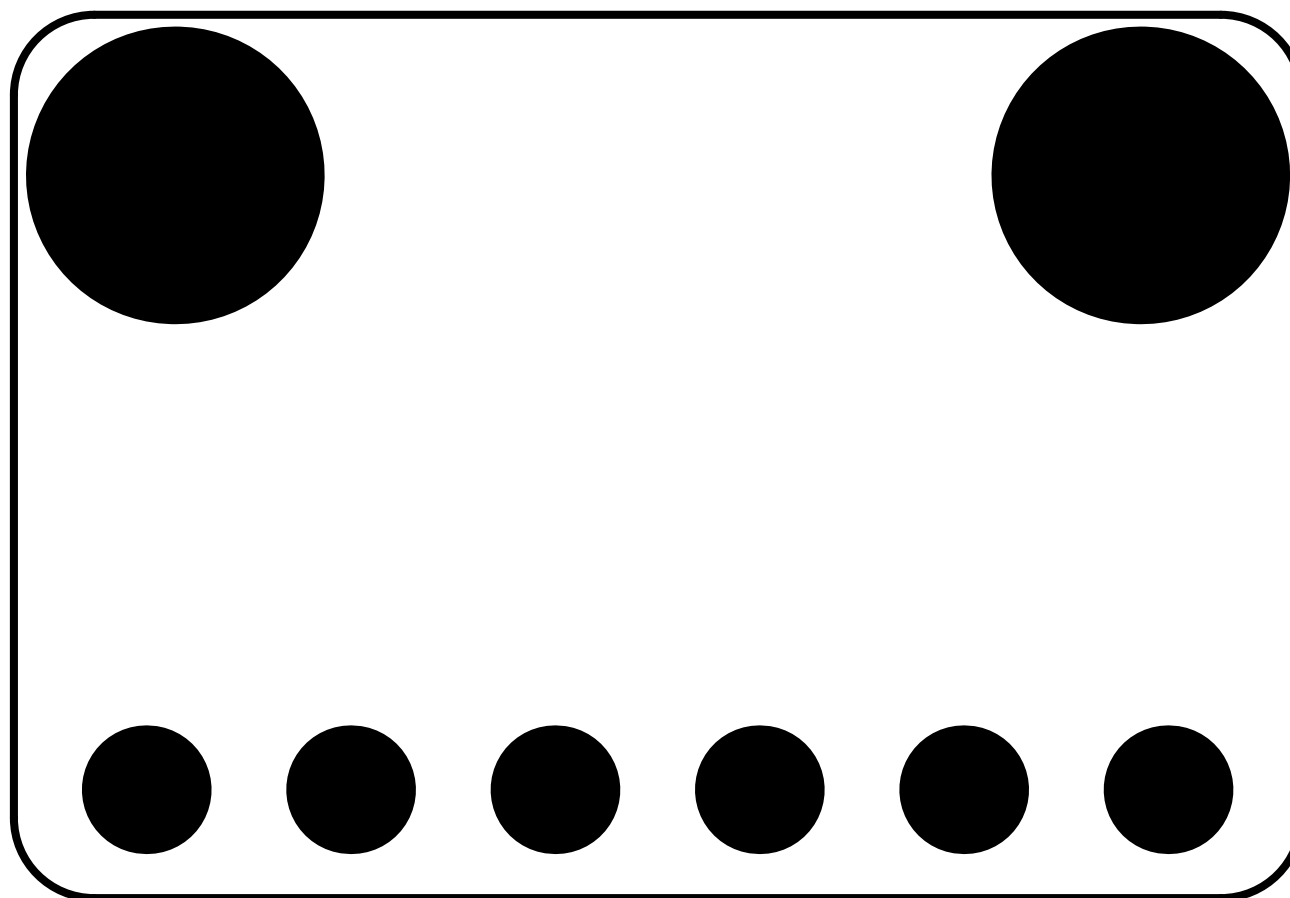
PCB Information	Name: SEND526[V0.0.3]	Thickness: 1.0mm
Engineer: HDJ	Top SolderMask: Black	Bottom SolderMask: Black
Date: 20220808	Top Silkscreen: White	Bottom Silkscreen: White



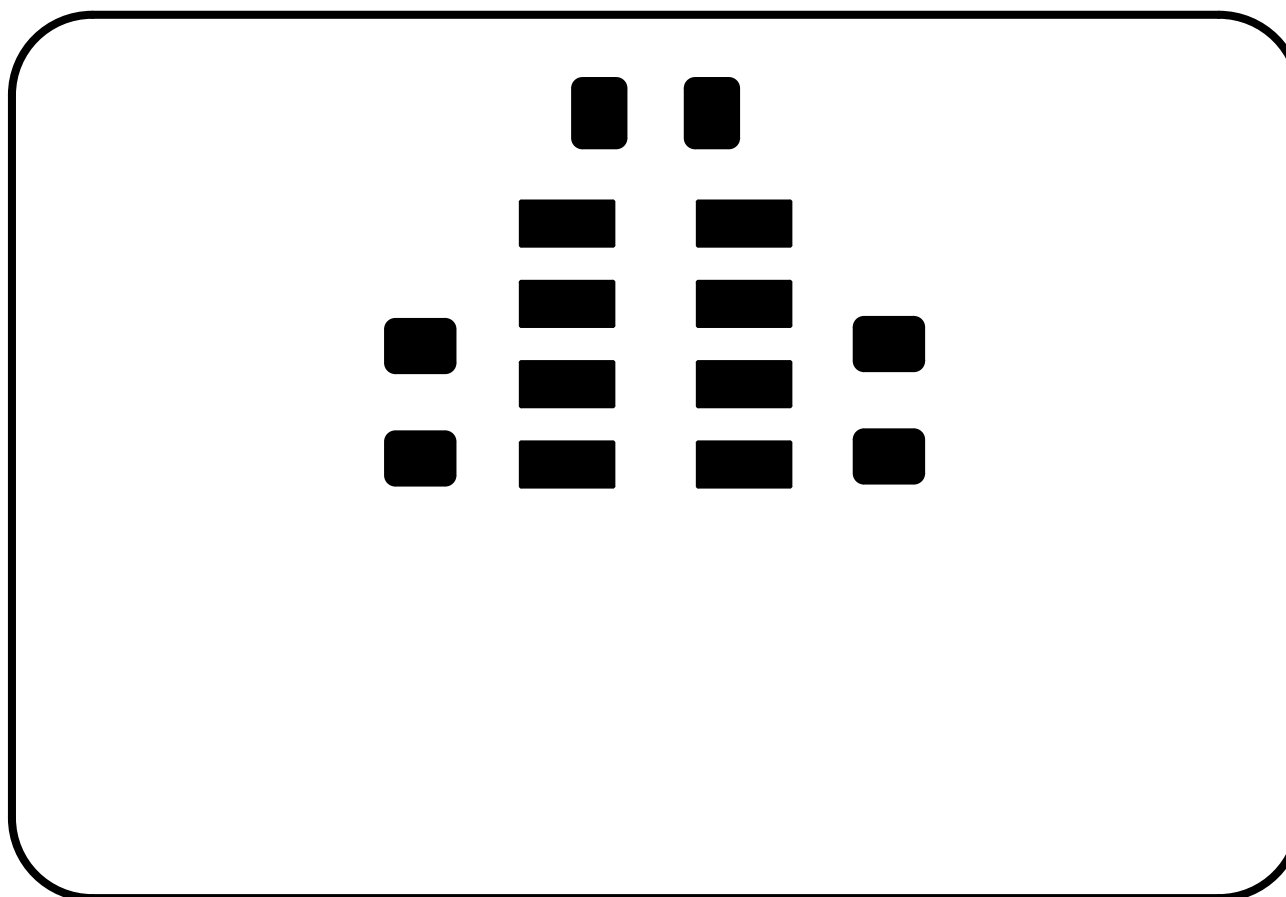
PCB Information	Name: SEND526[V0.0.3]	Thickness: 1.0mm
Engineer:HDJ	Top SolderMask: Black	Bottom SolderMask: Black
Date: 20220808	Top Silkscreen: White	Bottom Silkscreen: White



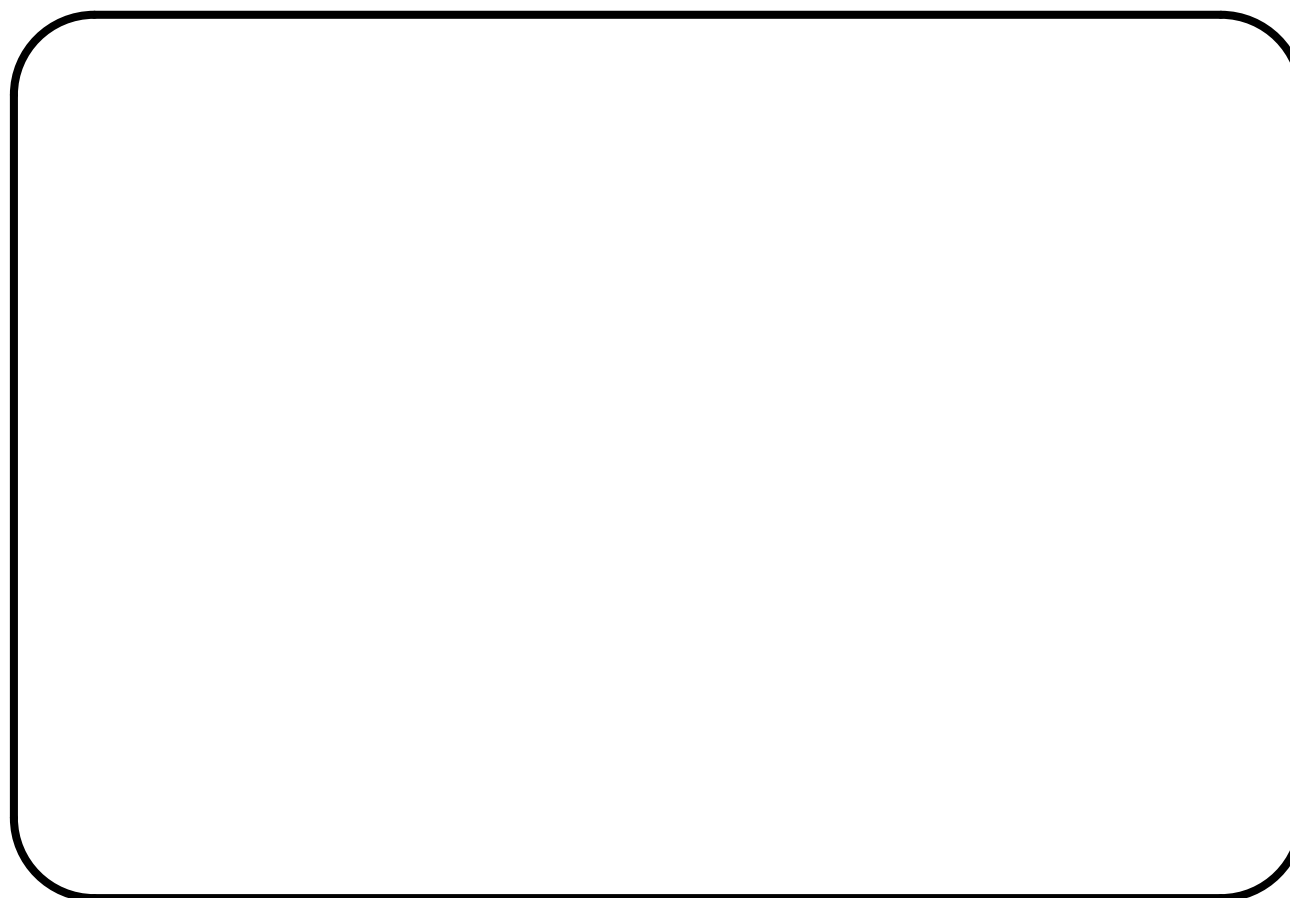
PCB Information	Name: SEND526[V0.0.3]	Thickness: 1.0mm
Engineer: HDJ	Top SolderMask: Black	Bottom SolderMask: Black
Date: 20220808	Top Silkscreen: White	Bottom Silkscreen: White



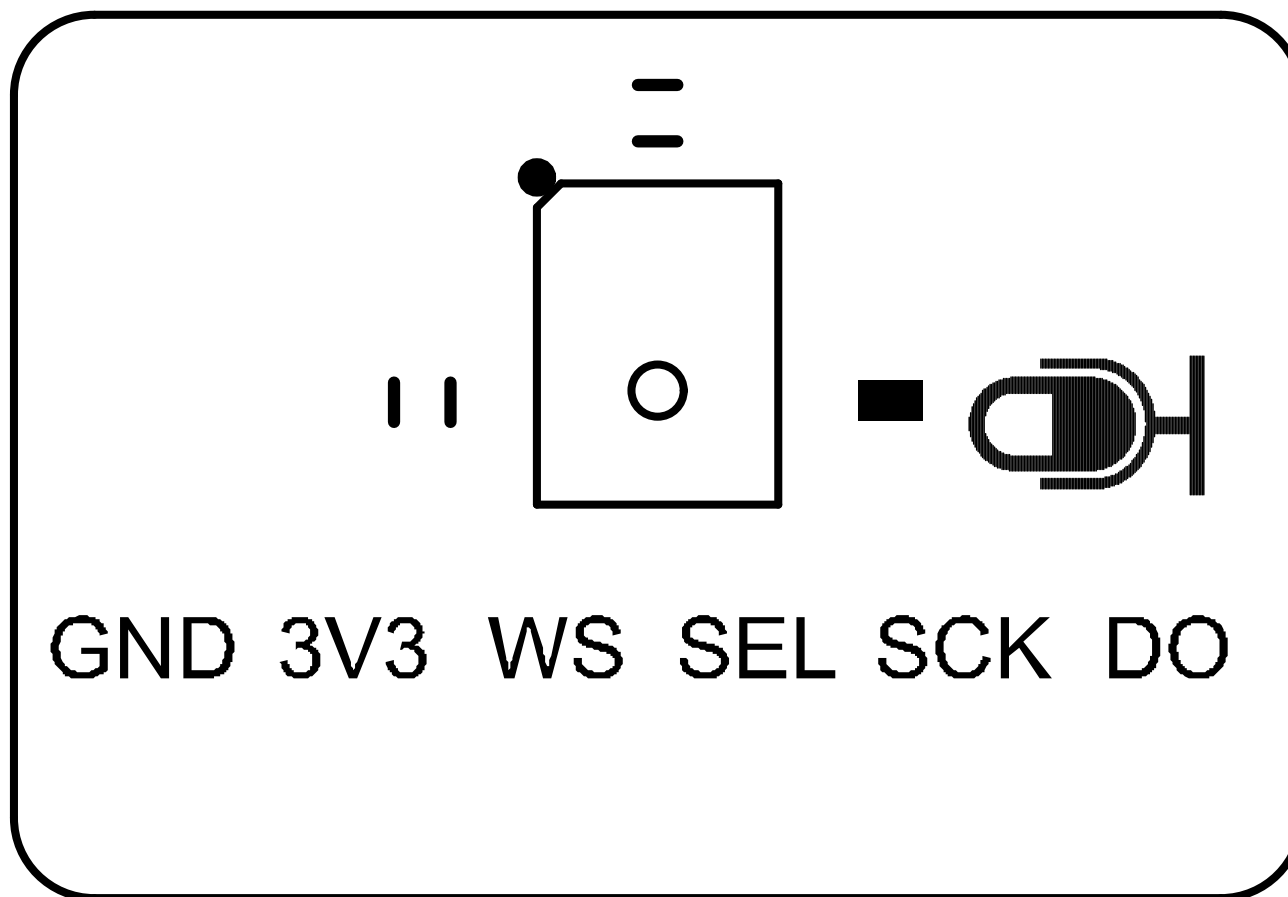
PCB Information	Name: SEND526[V0.0.3]	Thickness: 1.0mm
Engineer:HDJ	Top SolderMask: Black	Bottom SolderMask: Black
Date: 20220808	Top Silkscreen: White	Bottom Silkscreen: White



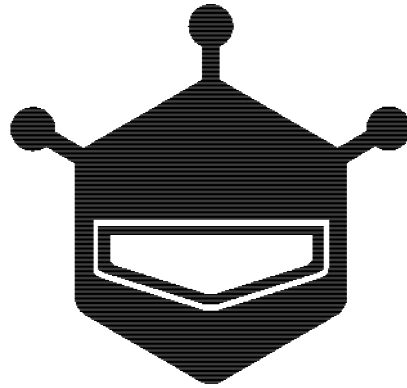
PCB Information	Name: SEND526[V0.0.3]	Thickness: 1.0mm
Engineer: HDJ	Top SolderMask: Black	Bottom SolderMask: Black
Date: 20220808	Top Silkscreen: White	Bottom Silkscreen: White



PCB Information	Name: SEND526[V0.0.3]	Thickness: 1.0mm
Engineer:HDJ	Top SolderMask: Black	Bottom SolderMask: Black
Date: 20220808	Top Silkscreen: White	Bottom Silkscreen: White

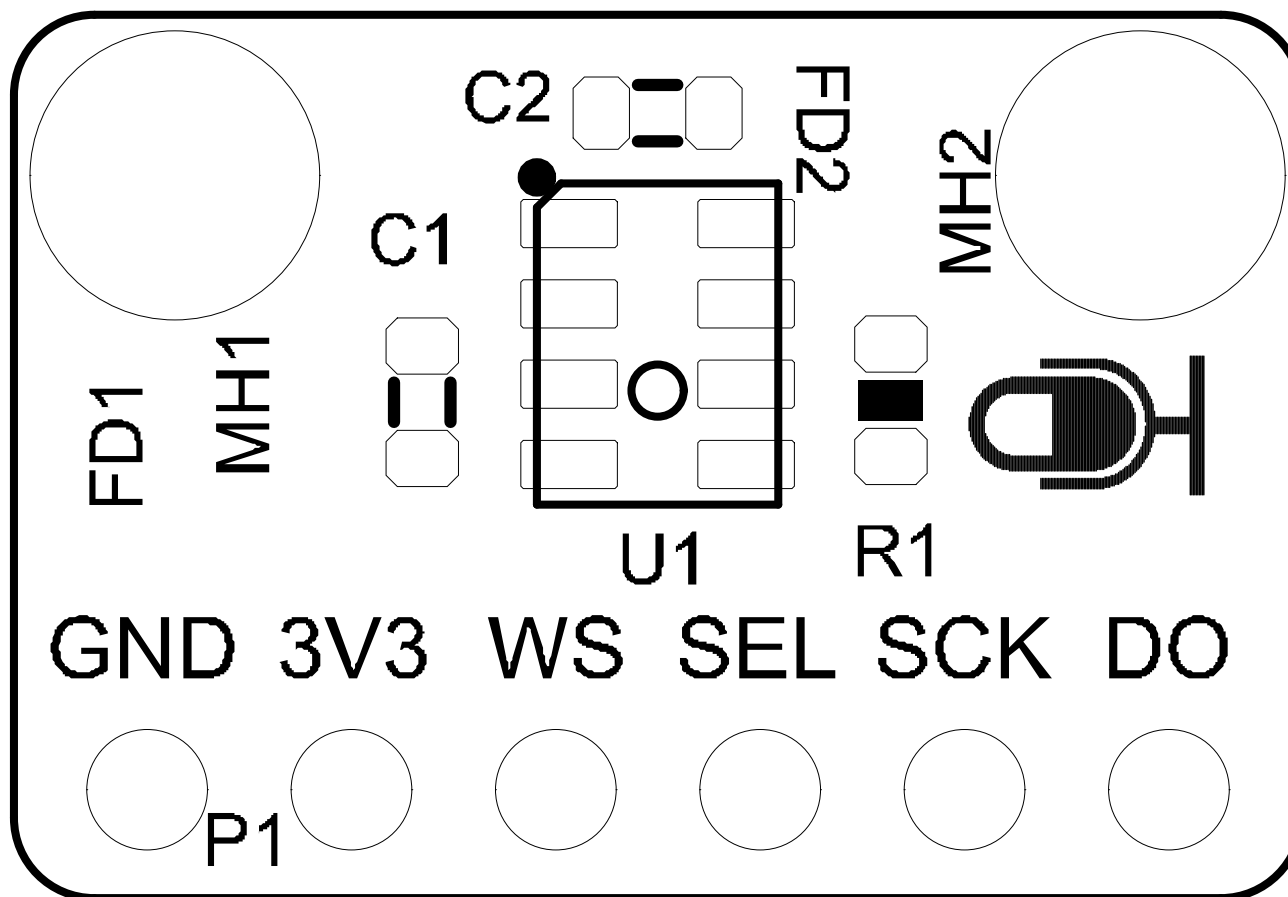


PCB Information	Name: SEND526[V0.0.3]	Thickness: 1.0mm
Engineer: HDJ	Top SolderMask: Black	Bottom SolderMask: Black
Date: 20220808	Top Silkscreen: White	Bottom Silkscreen: White

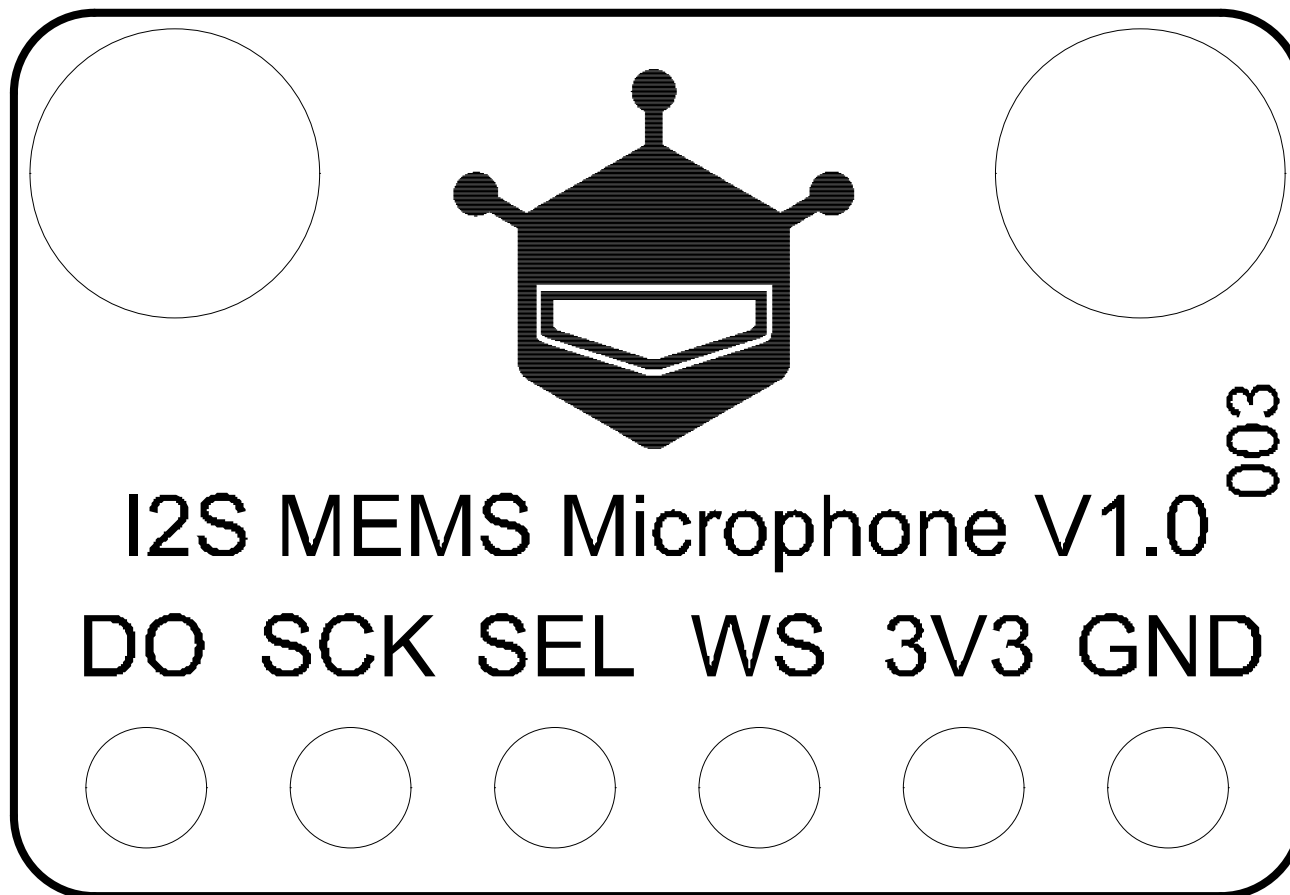


I2S MEMS Microphone V1.0⁰⁰³
DO SCK SEL WS 3V3 GND

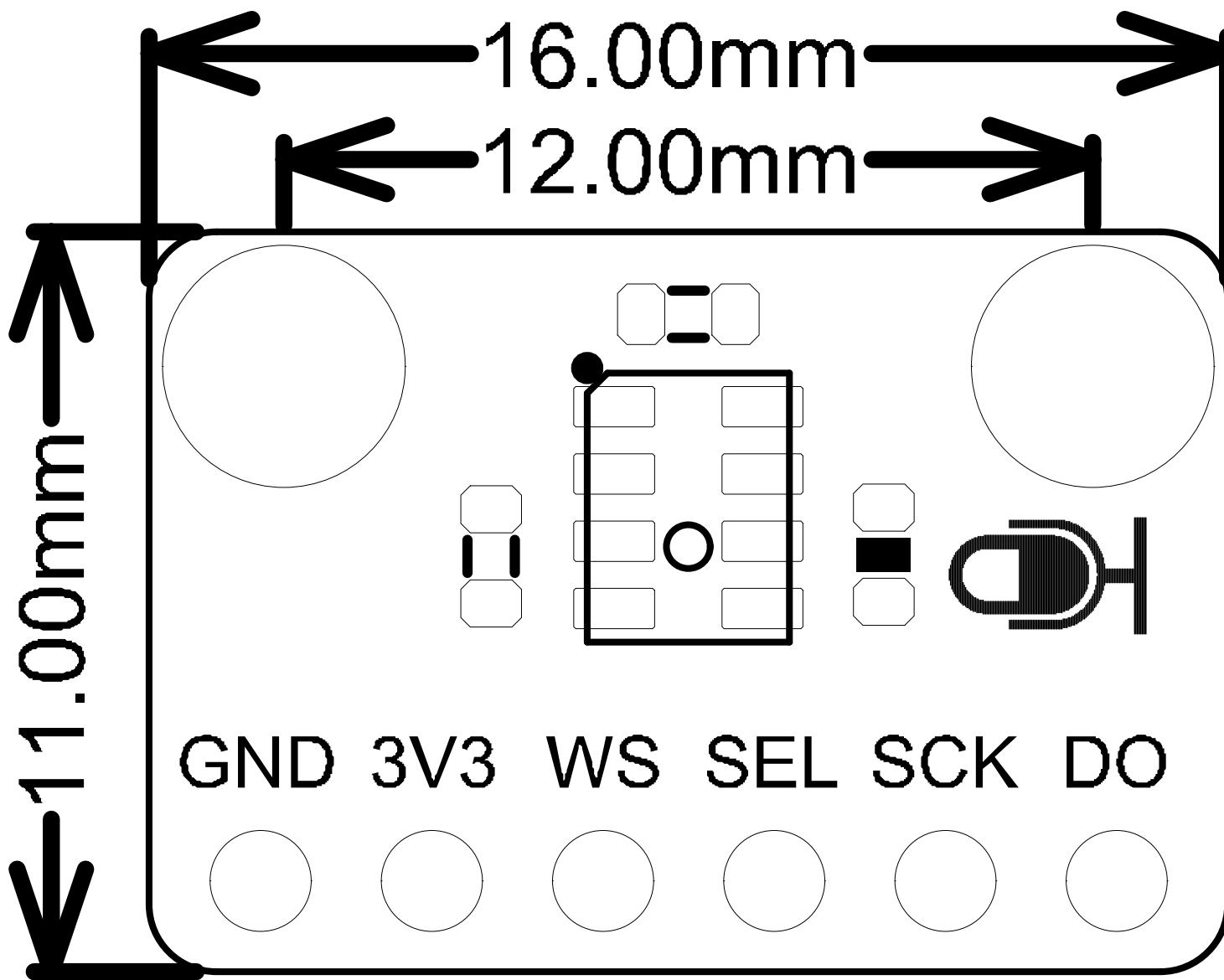
PCB Information	Name: SEND526[V0.0.3]	Thickness: 1.0mm
Engineer:HDJ	Top SolderMask: Black	Bottom SolderMask: Black
Date: 20220808	Top Silkscreen: White	Bottom Silkscreen: White



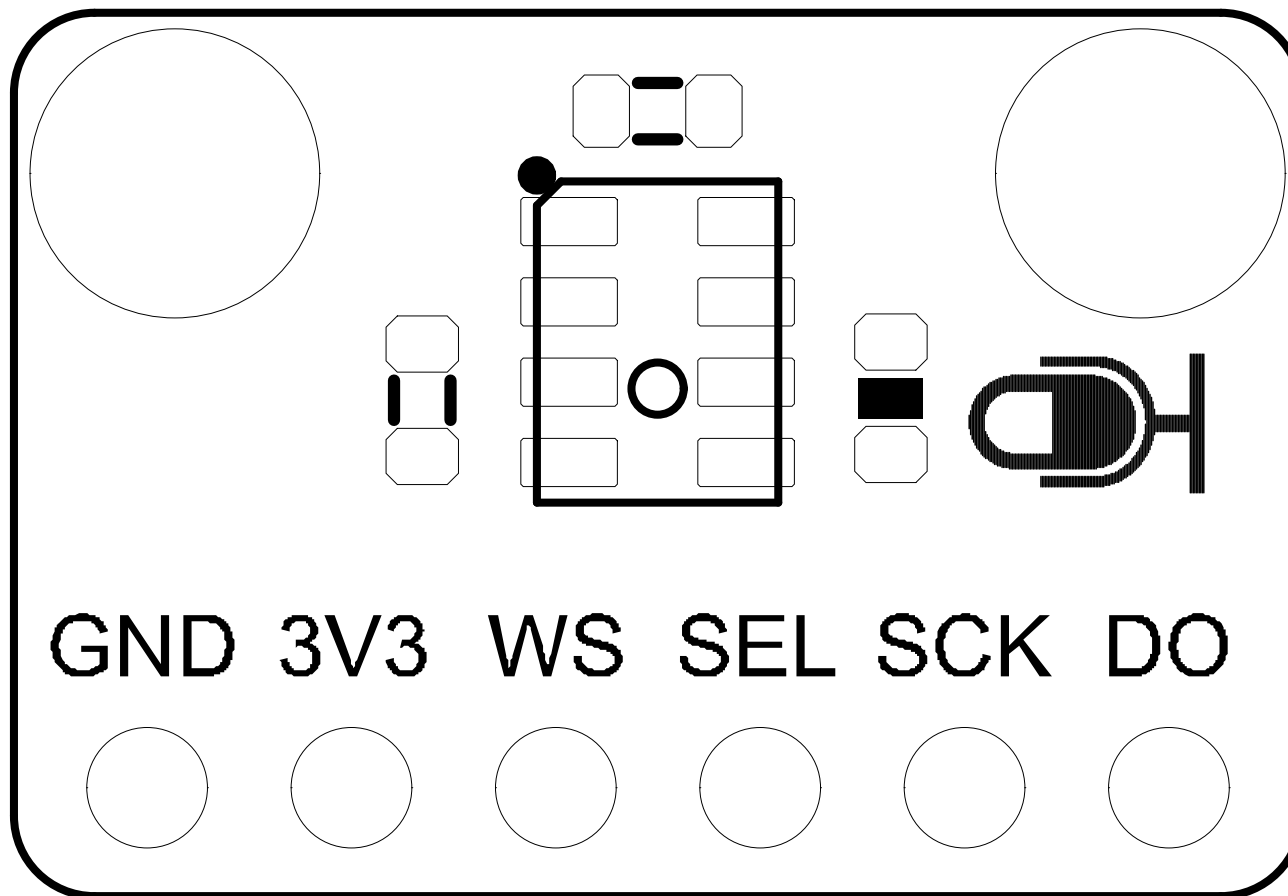
PCB Information	Name: SEND526[V0.0.3]	Thickness: 1.0mm
Engineer: HDJ	Top SolderMask: Black	Bottom SolderMask: Black
Date: 20220808	Top Silkscreen: White	Bottom Silkscreen: White



PCB Information	Name: SEND526[V0.0.3]	Thickness: 1.0mm
Engineer:HDJ	Top SolderMask: Black	Bottom SolderMask: Black
Date: 20220808	Top Silkscreen: White	Bottom Silkscreen: White

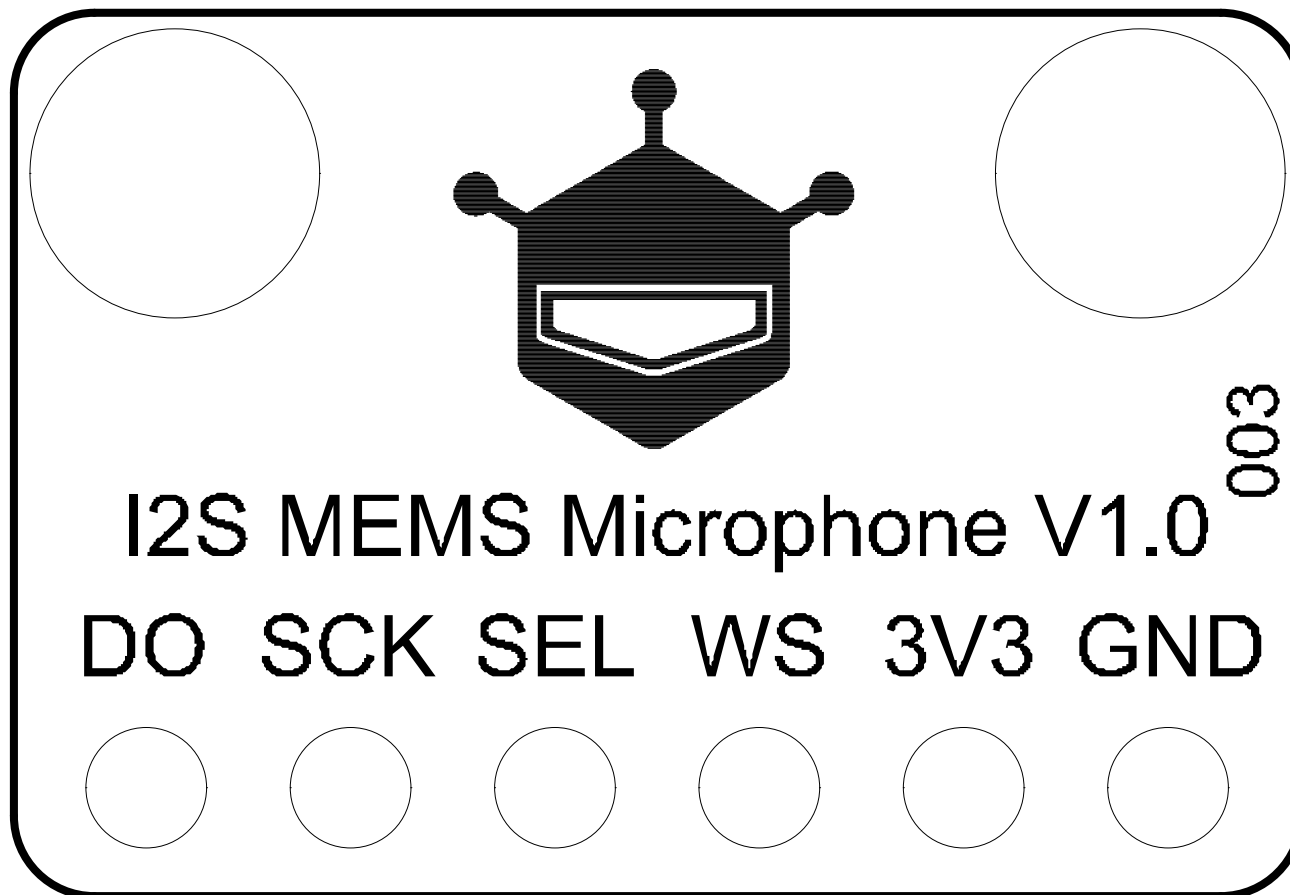


PCB Information	Name: SEND526[V0.0.3]	Thickness: 1.0mm
Engineer: HDJ	Top SolderMask: Black	Bottom SolderMask: Black
Date: 20220808	Top Silkscreen: White	Bottom Silkscreen: White



GND 3V3 WS SEL SCK DO

PCB Information	Name: SEND526[V0.0.3]	Thickness: 1.0mm
Engineer: HDJ	Top SolderMask: Black	Bottom SolderMask: Black
Date: 20220808	Top Silkscreen: White	Bottom Silkscreen: White



PCB Information	Name: SEND526[V0.0.3]	Thickness: 1.0mm
Engineer:HDJ	Top SolderMask: Black	Bottom SolderMask: Black
Date: 20220808	Top Silkscreen: White	Bottom Silkscreen: White