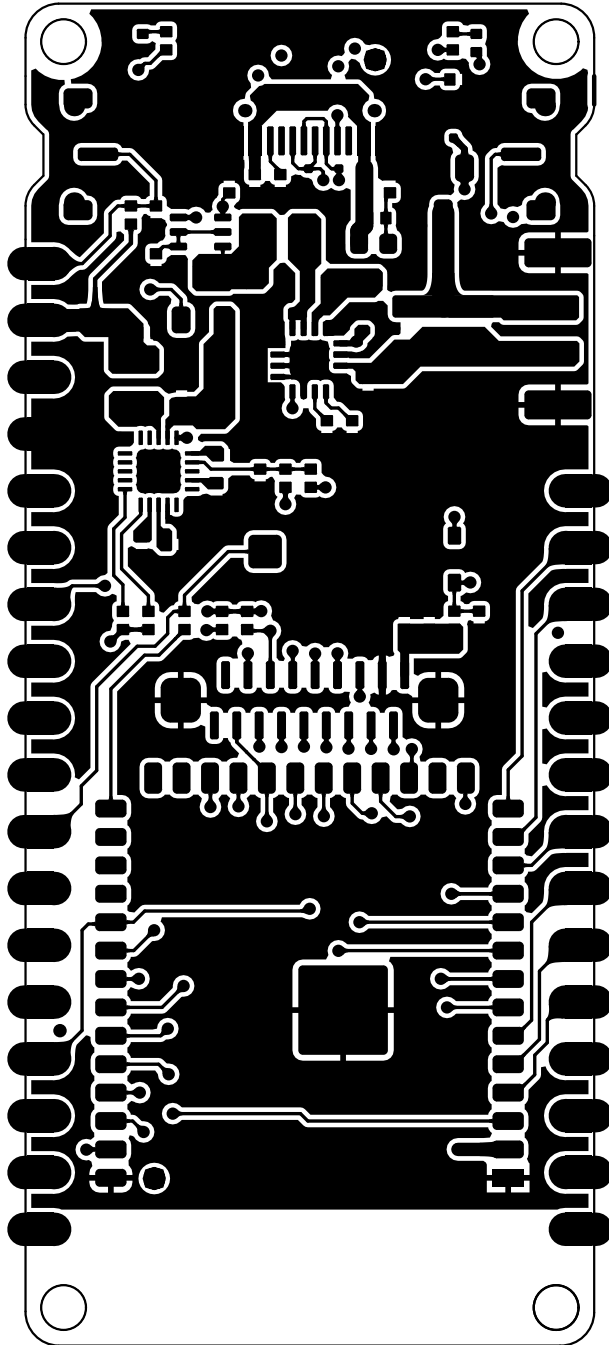
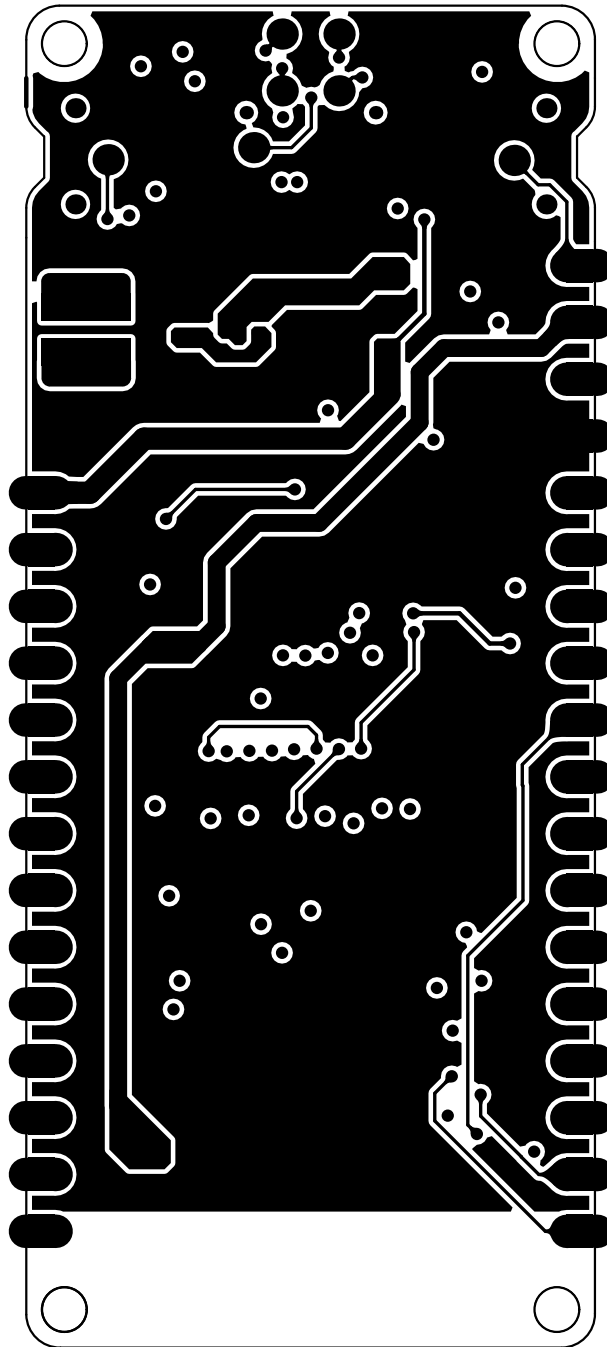


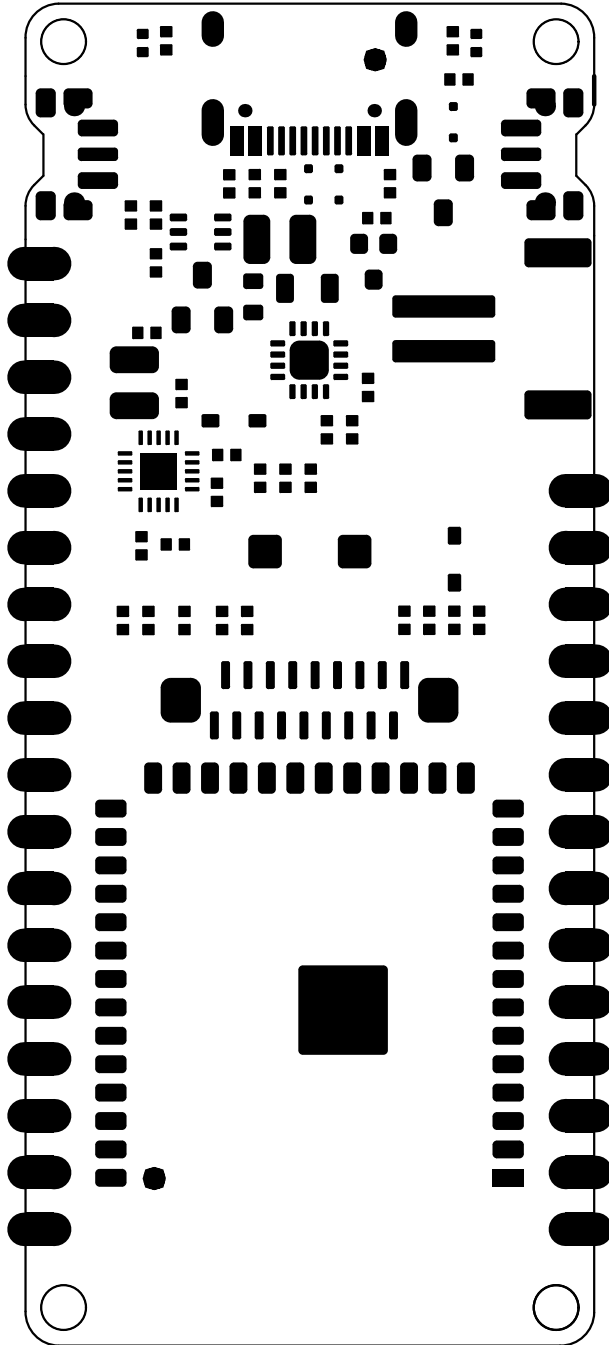
Title: Firebee 2 ESP32-S3(N4)	Code: DFR1145
Drawn: Roker-CD	Revision: V1.0.0
Page: 1 of 1	Size: A4
Date: 2024/03/12	Time: 9:14:24



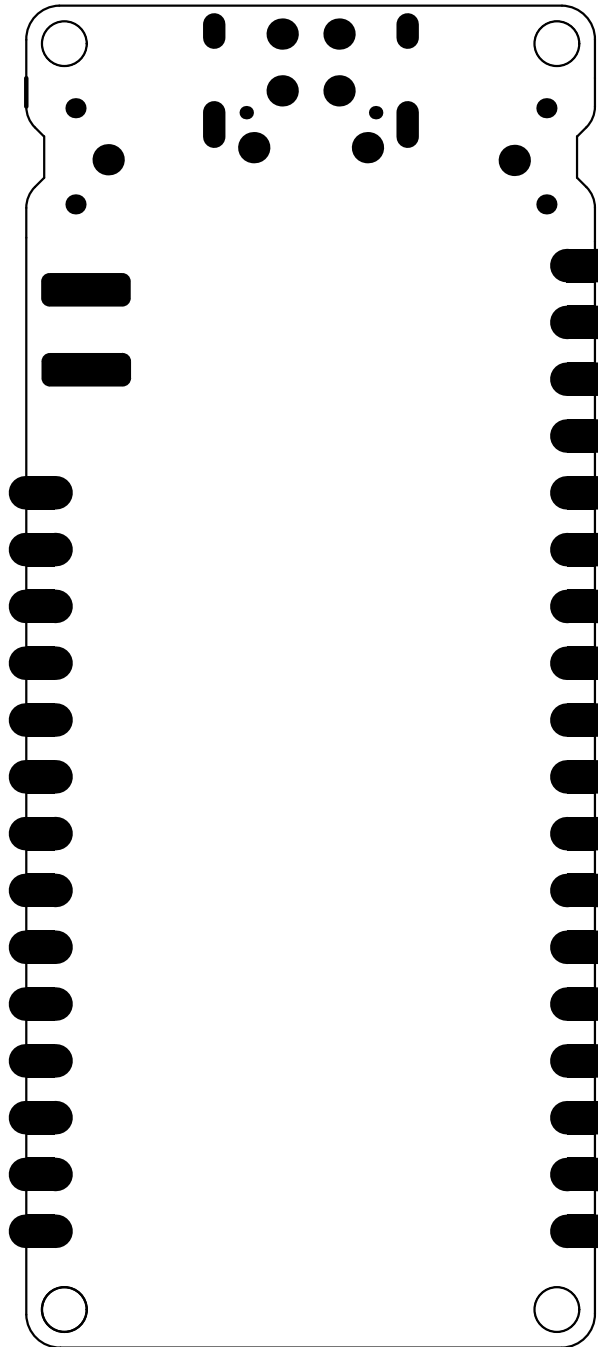
PCB Information	Name:DFR1145[V1.0.0]	Thickness: 1.6mm
Engineer:Roker-CD	Top SolderMask: Black	Bottom SolderMask: Black
Date:20240311	Top Silkscreen: White	Bottom Silkscreen: White



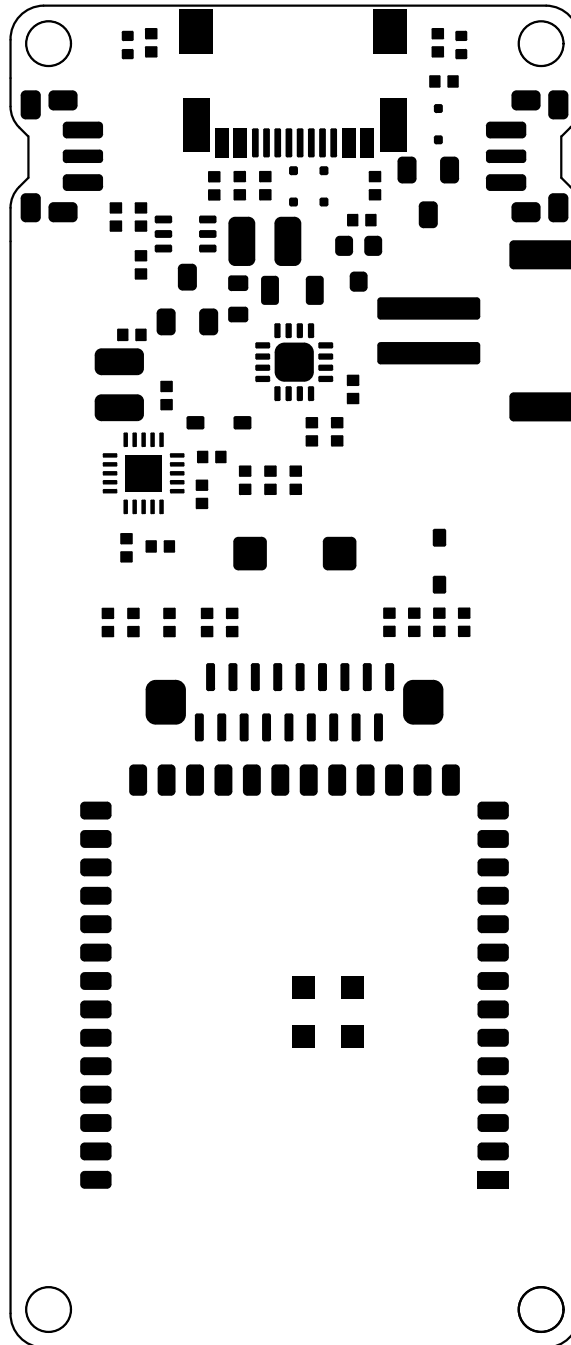
PCB Information	Name:DFR1145[V1.0.0]	Thickness: 1.6mm
Engineer:Roker-CD	Top SolderMask: Black	Bottom SolderMask: Black
Date:20240311	Top Silkscreen: White	Bottom Silkscreen: White



PCB Information	Name:DFR1145[V1.0.0]	Thickness: 1.6mm
Engineer:Roker-CD	Top SolderMask: Black	Bottom SolderMask: Black
Date:20240311	Top Silkscreen: White	Bottom Silkscreen: White



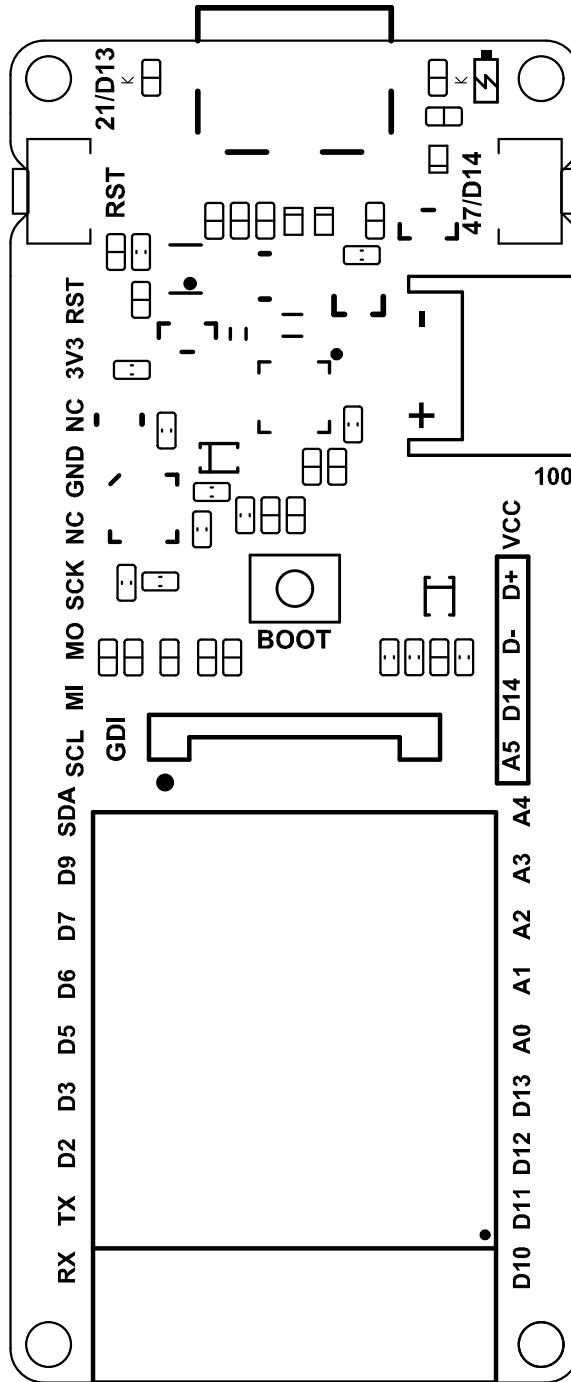
PCB Information	Name:DFR1145[V1.0.0]	Thickness: 1.6mm
Engineer:Roker-CD	Top SolderMask: Black	Bottom SolderMask: Black
Date:20240311	Top Silkscreen: White	Bottom Silkscreen: White



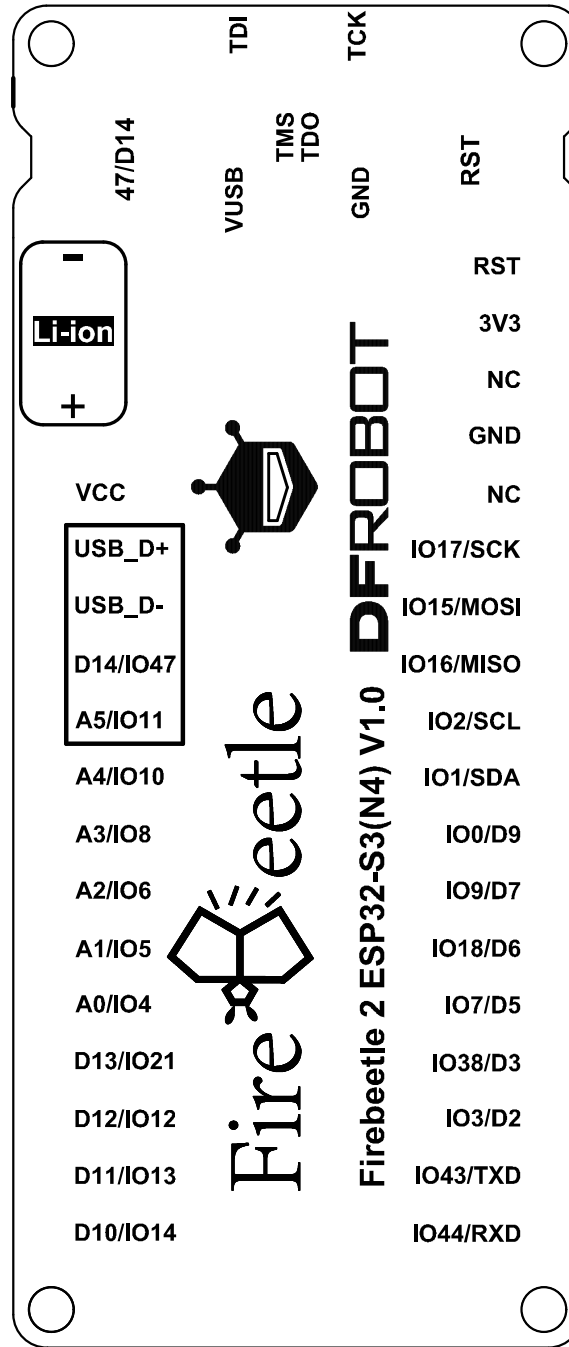
PCB Information	Name:DFR1145[V1.0.0]	Thickness: 1.6mm
Engineer:Roker-CD	Top SolderMask: Black	Bottom SolderMask: Black
Date:20240311	Top Silkscreen: White	Bottom Silkscreen: White



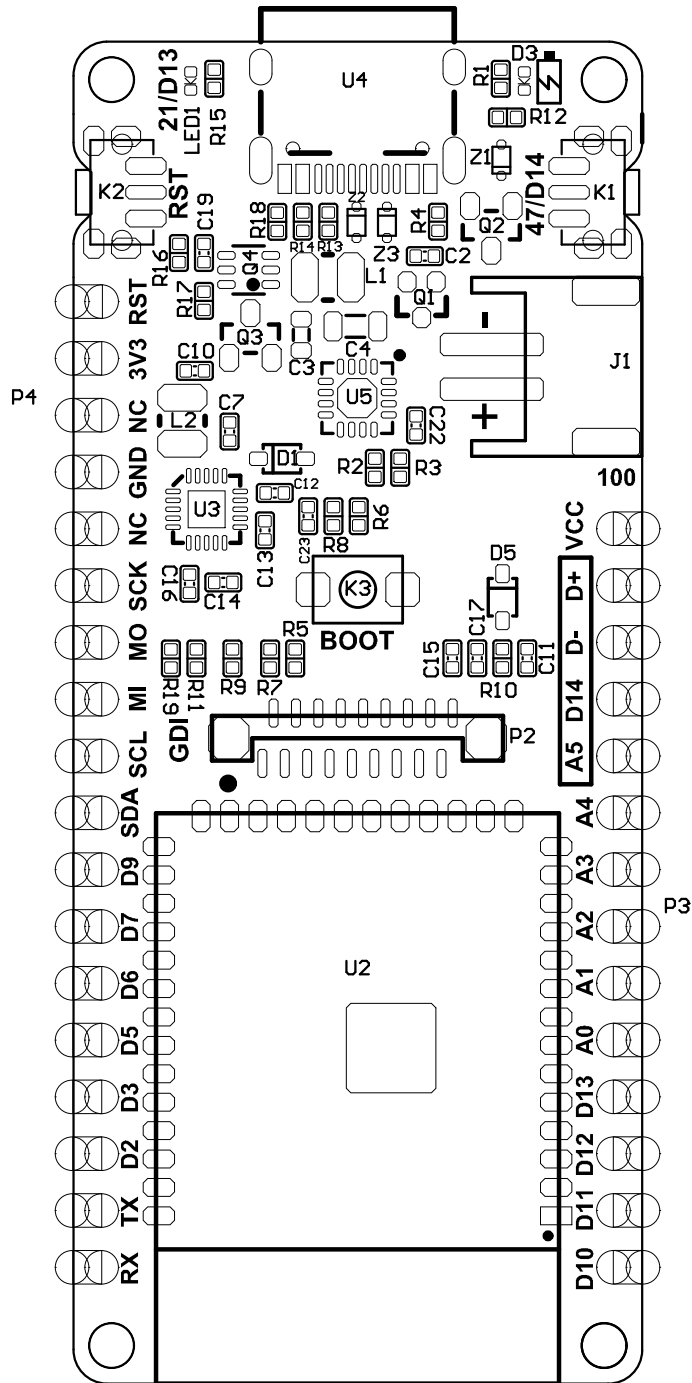
PCB Information	Name:DFR1145[V1.0.0]	Thickness: 1.6mm
Engineer:Roker-CD	Top SolderMask: Black	Bottom SolderMask: Black
Date:20240311	Top Silkscreen: White	Bottom Silkscreen: White



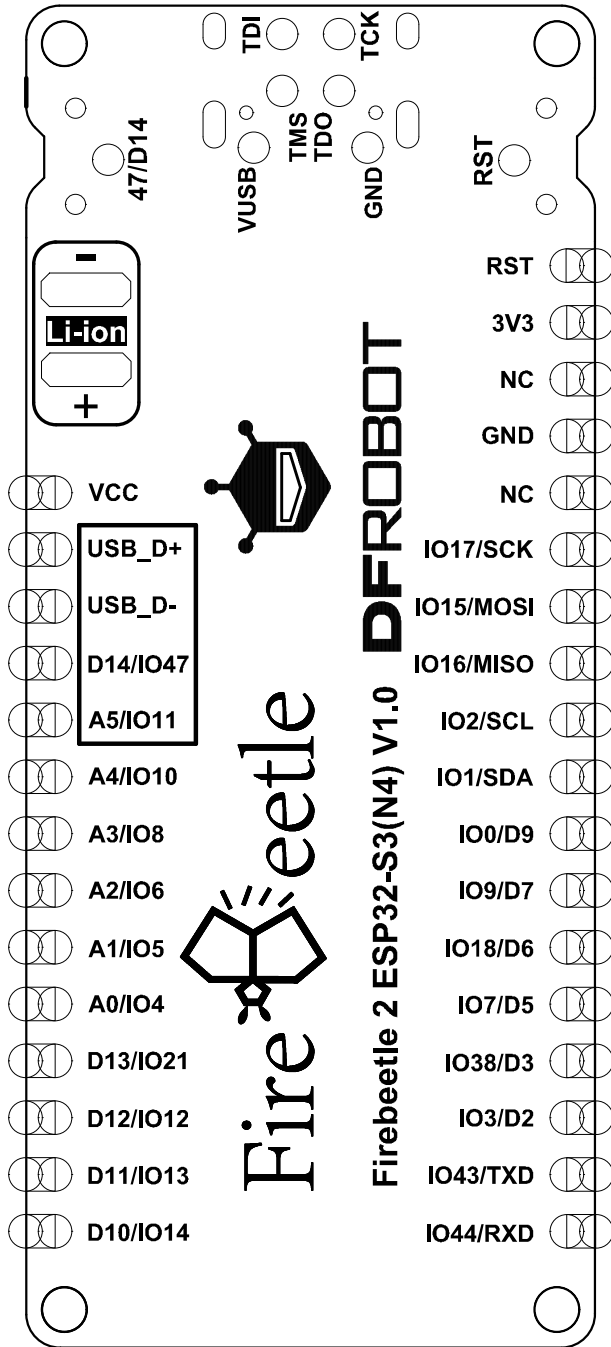
PCB Information	Name:DFR1145[V1.0.0]	Thickness: 1.6mm
Engineer:Roker-CD	Top SolderMask: Black	Bottom SolderMask: Black
Date:20240311	Top Silkscreen: White	Bottom Silkscreen: White



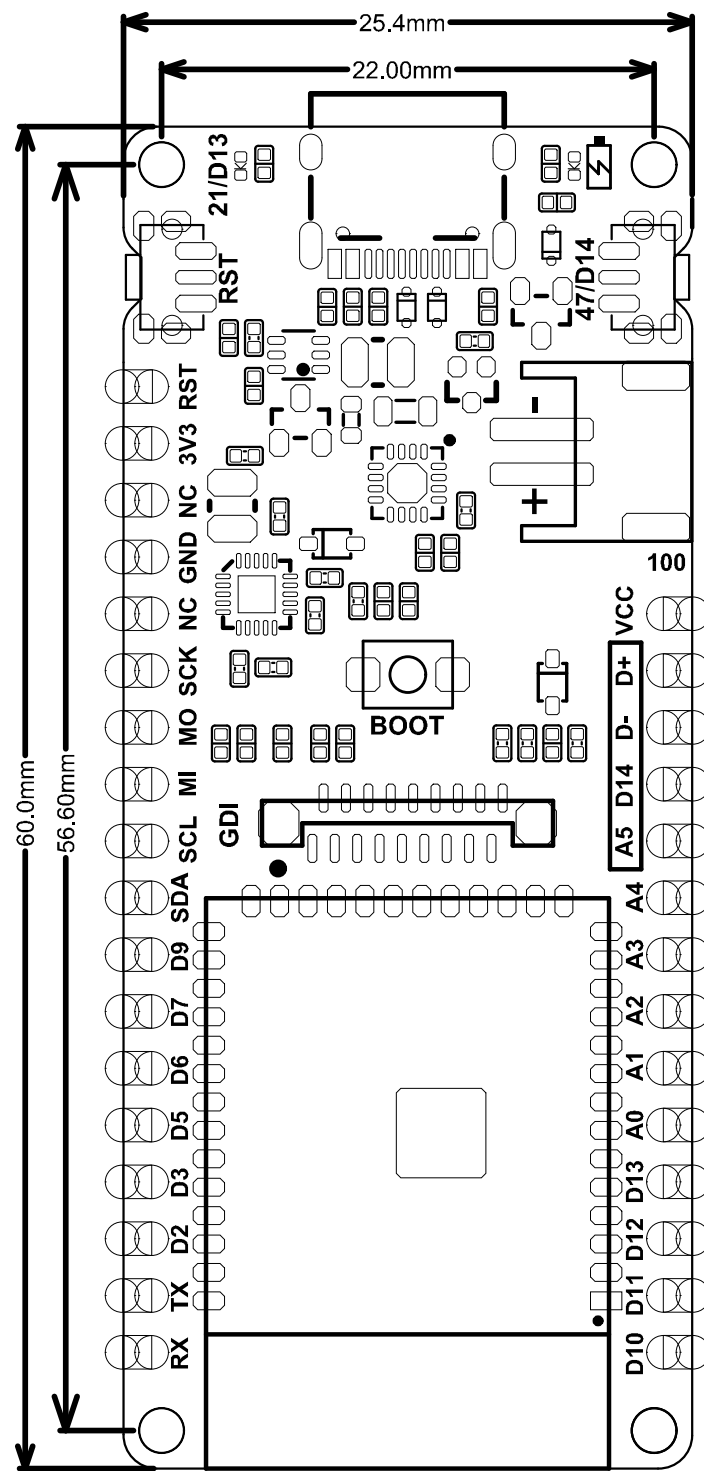
PCB Information	Name:DFR1145[V1.0.0]	Thickness: 1.6mm
Engineer:Roker-CD	Top SolderMask: Black	Bottom SolderMask: Black
Date:20240311	Top Silkscreen: White	Bottom Silkscreen: White



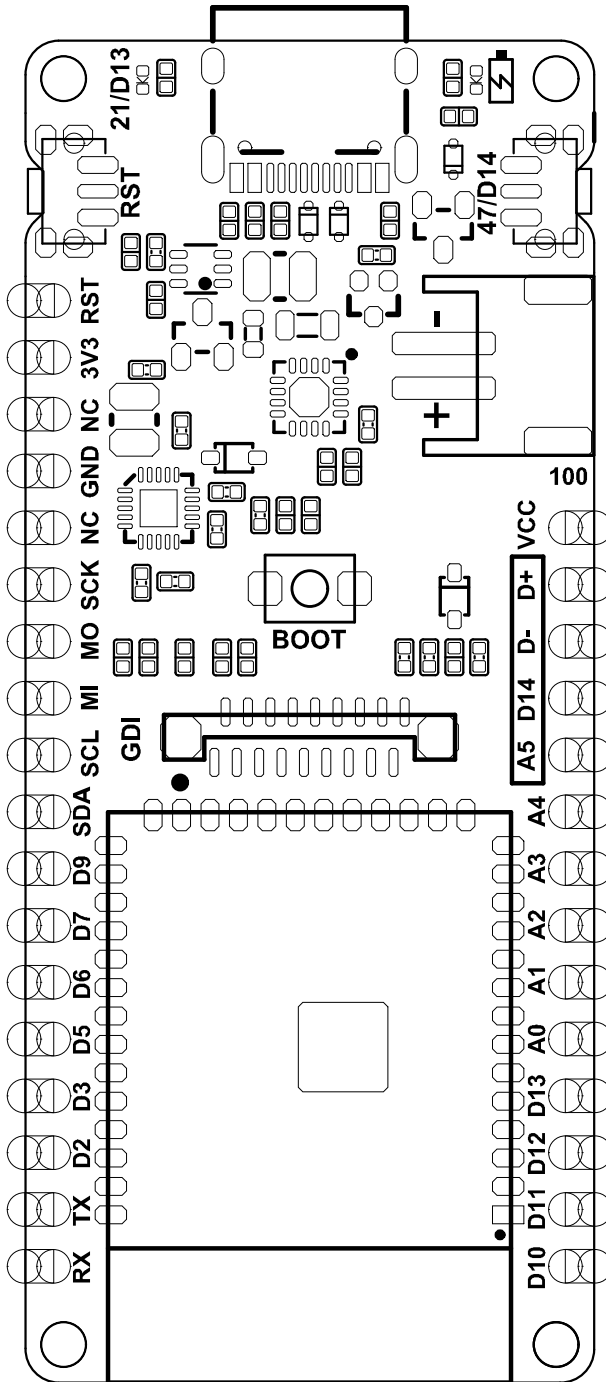
PCB Information	Name:DFR1145[V1.0.0]	Thickness: 1.6mm
Engineer:Roker-CD	Top SolderMask: Black	Bottom SolderMask: Black
Date:20240311	Top Silkscreen: White	Bottom Silkscreen: White



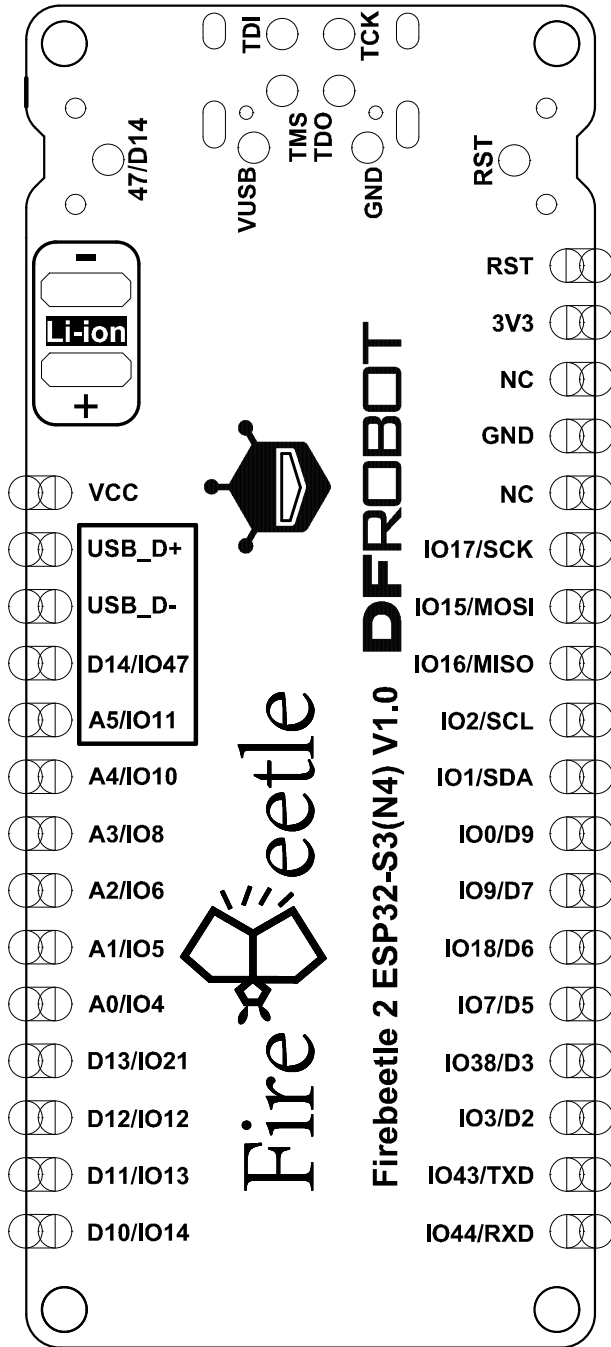
PCB Information	Name:DFR1145[V1.0.0]	Thickness: 1.6mm
Engineer:Roker-CD	Top SolderMask: Black	Bottom SolderMask: Black
Date:20240311	Top Silkscreen: White	Bottom Silkscreen: White



PCB Information		
Name:DFR1145[V1.0.0]	Thickness: 1.6mm	
Engineer:Roker-CD	Top SolderMask: Black	Bottom SolderMask: Black
Date:20240311	Top Silkscreen: White	Bottom Silkscreen: White



PCB Information	Name:DFR1145[V1.0.0]	Thickness: 1.6mm
Engineer:Roker-CD	Top SolderMask: Black	Bottom SolderMask: Black
Date:20240311	Top Silkscreen: White	Bottom Silkscreen: White



PCB Information	Name:DFR1145[V1.0.0]	Thickness: 1.6mm
Engineer:Roker-CD	Top SolderMask: Black	Bottom SolderMask: Black
Date:20240311	Top Silkscreen: White	Bottom Silkscreen: White