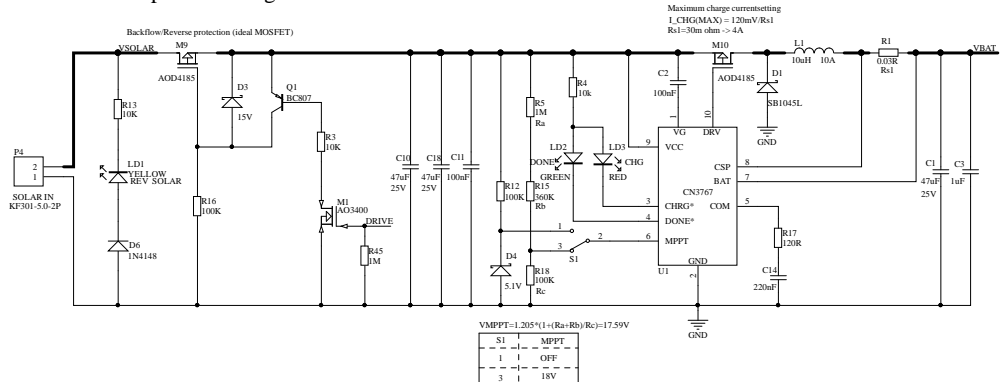
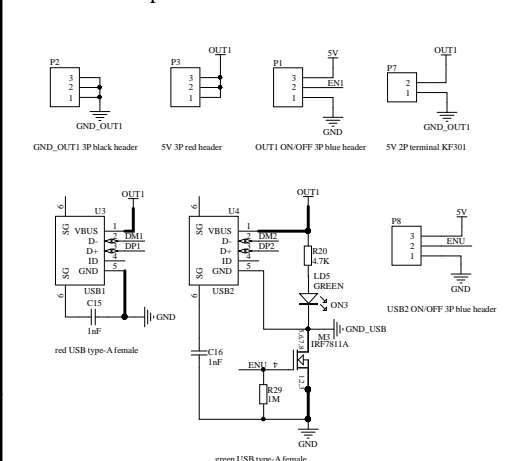


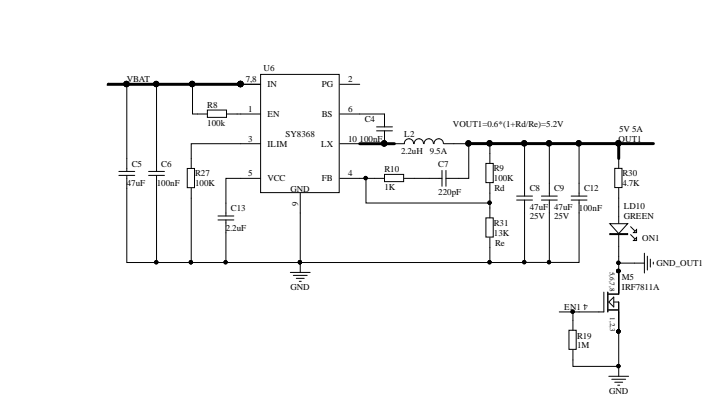
### CN3767 Solar power manager



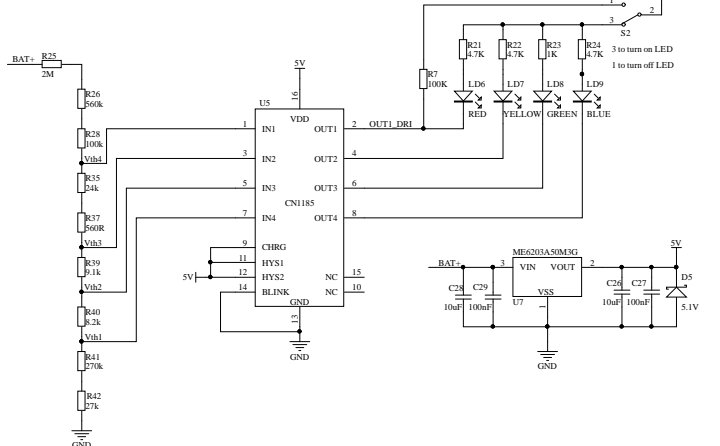
### USB and Outputs



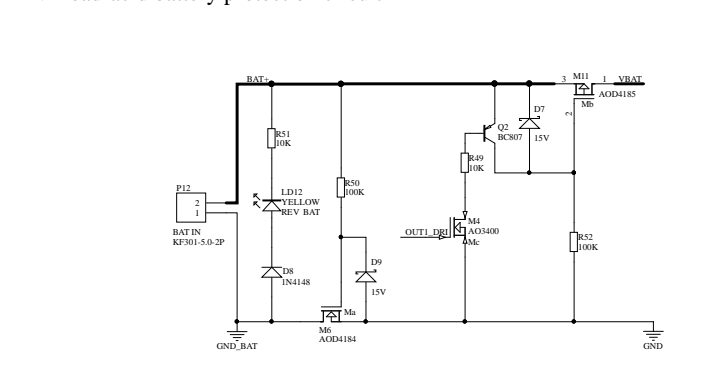
### SY8368 OUT1 5V



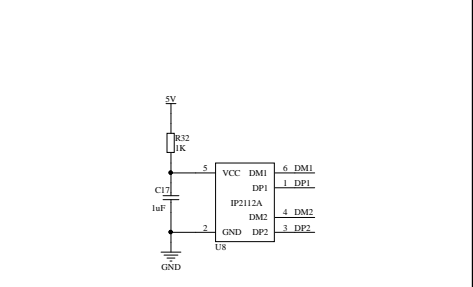
### CN1185 Battery fuel gauge



### 12V Lead-acid battery protection circuit



### Dual USB charge protocols



### OUT2 protection circuit

