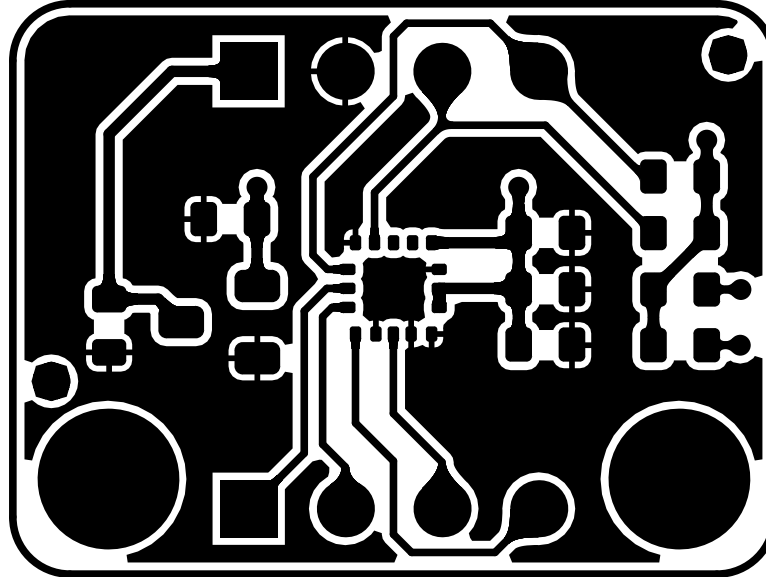


	Title: Triple Axis Accelerometer - LIS331HH	Code: SEN0407	
	Drawn: Aaron-CD	Revision: V1.0	Size: A3
	Page: 1 of 1	Date: 2021/5/13	Time: 9:09:12



PCB Information

Name:[SEND407](V1.0)

Thickness: 1.0mm

Engineer:Aaron

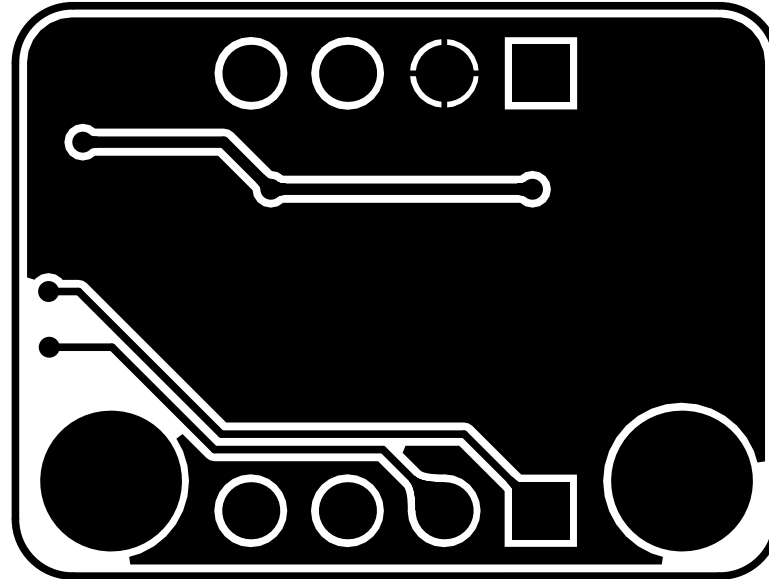
Top SolderMask: Black

Bottom SolderMask: Black

Date: 20210419

Top Silkscreen: White

Bottom Silkscreen: White



PCB Information

Name:[SEN0407](V1.0)

Thickness: 1.0mm

Engineer:Aaron

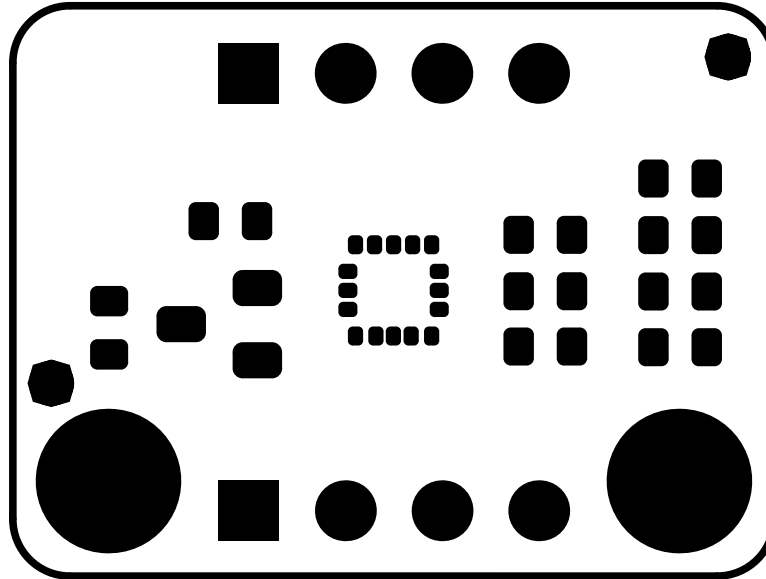
Top SolderMask: Black

Bottom SolderMask: Black

Date: 20210419

Top Silkscreen: White

Bottom Silkscreen: White



PCB Information

Name:[SEND407](V1.0)

Thickness: 1.0mm

Engineer:Aaron

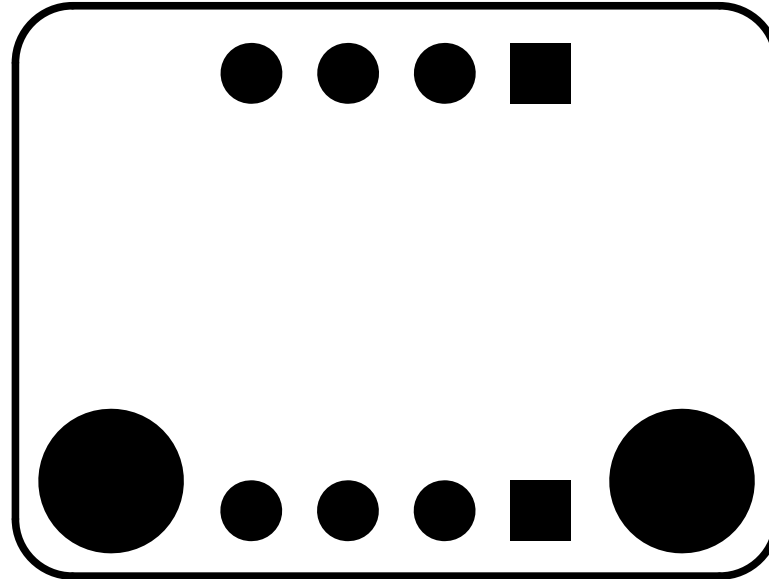
Top SolderMask: Black

Bottom SolderMask: Black

Date: 20210419

Top Silkscreen: White

Bottom Silkscreen: White



PCB Information

Name:[SEN0407](V1.0)

Thickness: 1.0mm

Engineer:Aaron

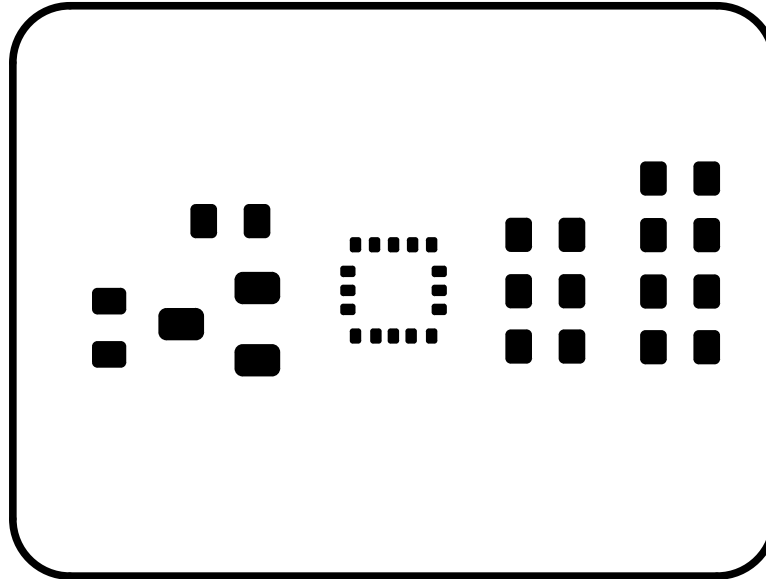
Top SolderMask: Black

Bottom SolderMask: Black

Date: 20210419

Top Silkscreen: White

Bottom Silkscreen: White



PCB Information

Name:[SEND407](V1.0)

Thickness: 1.0mm

Engineer:Aaron

Top SolderMask: Black

Bottom SolderMask: Black

Date: 20210419

Top Silkscreen: White

Bottom Silkscreen: White



PCB Information

Name:[SEN0407](V1.0)

Thickness: 1.0mm

Engineer:Aaron

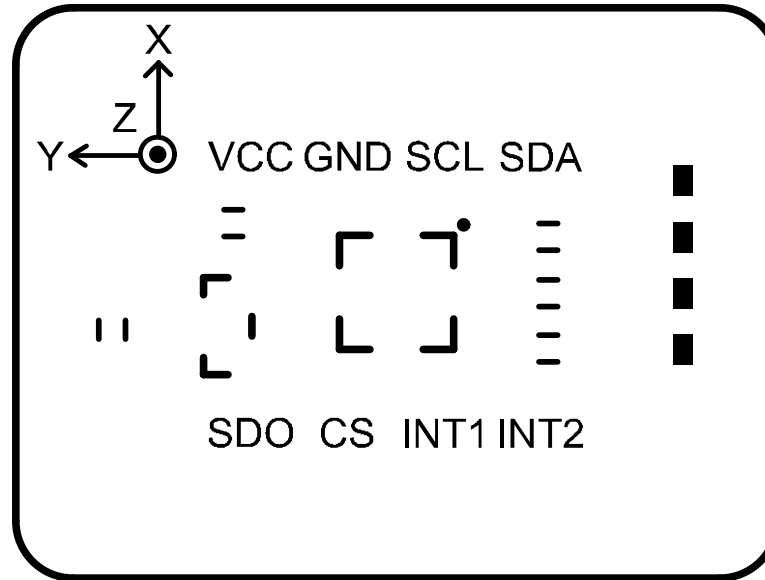
Top SolderMask: Black

Bottom SolderMask: Black

Date: 20210419

Top Silkscreen: White

Bottom Silkscreen: White



PCB Information

Engineer: Aaron

Date: 20210419

Name: [SEND407](V1.0)

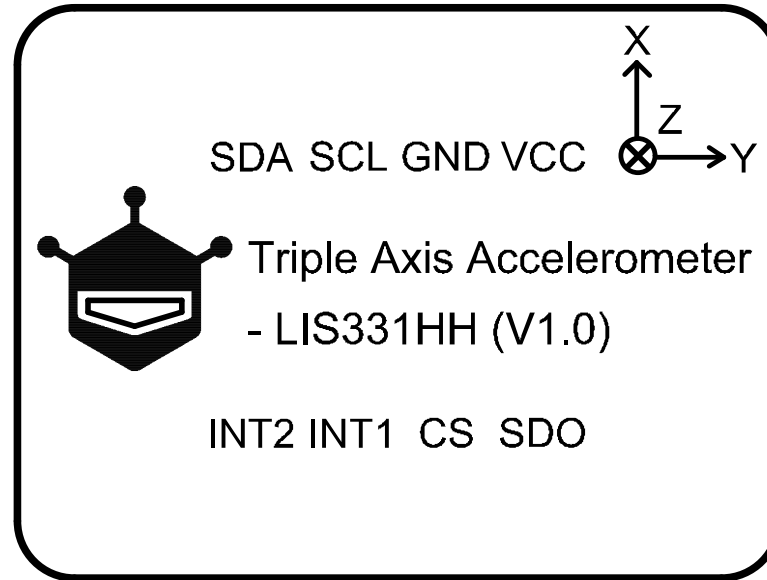
Top SolderMask: Black

Top Silkscreen: White

Thickness: 1.0mm

Bottom SolderMask: Black

Bottom Silkscreen: White



PCB Information

Engineer: Aaron

Date: 20210419

Name: [SEN0407](V1.0)

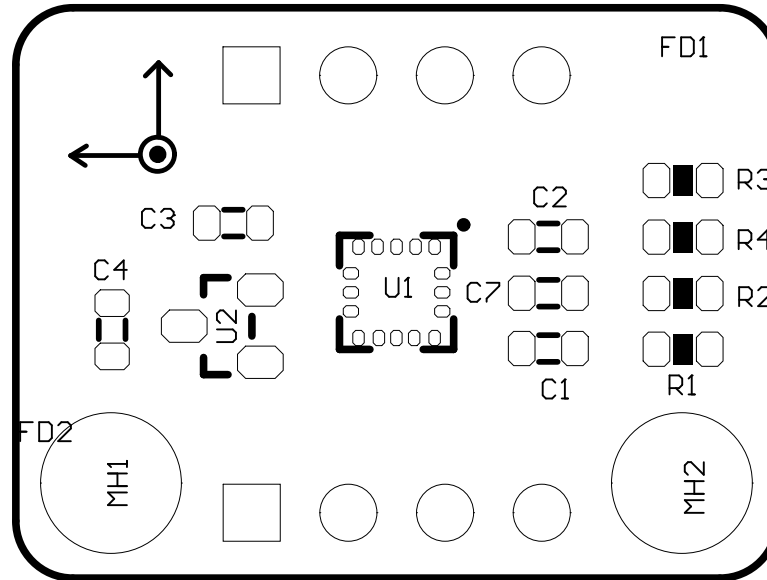
Top SolderMask: Black

Top Silkscreen: White

Thickness: 1.0mm

Bottom SolderMask: Black

Bottom Silkscreen: White



PCB Information

Engineer: Aaron

Date: 20210419

Name: [SEND407](V1.0)

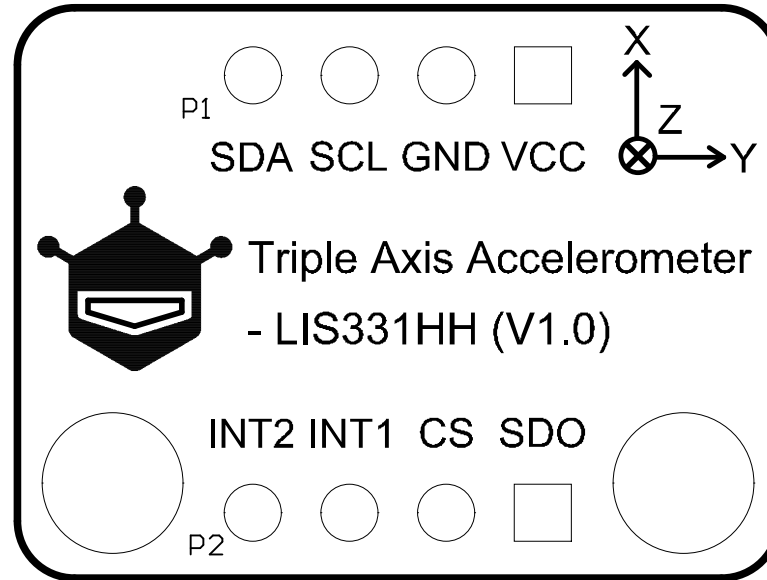
Top SolderMask: Black

Top Silkscreen: White

Thickness: 1.0mm

Bottom SolderMask: Black

Bottom Silkscreen: White



PCB Information

Engineer: Aaron

Date: 20210419

Name: [SEN0407](V1.0)

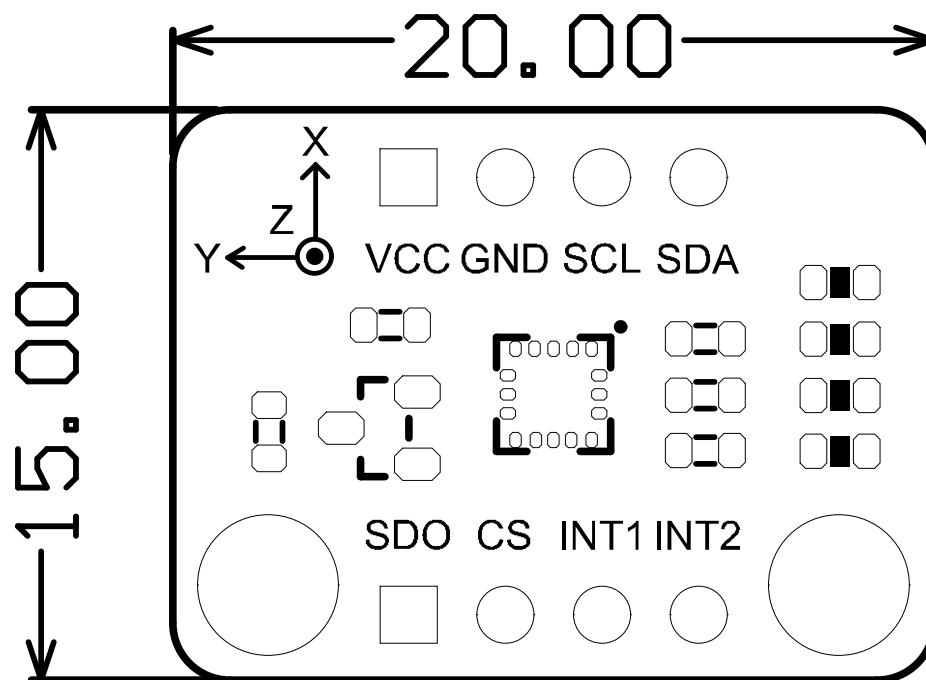
Top SolderMask: Black

Top Silkscreen: White

Thickness: 1.0mm

Bottom SolderMask: Black

Bottom Silkscreen: White



PCB Information

Name:[SEN0407](V1.0)

Thickness: 1.0mm

Engineer:Aaron

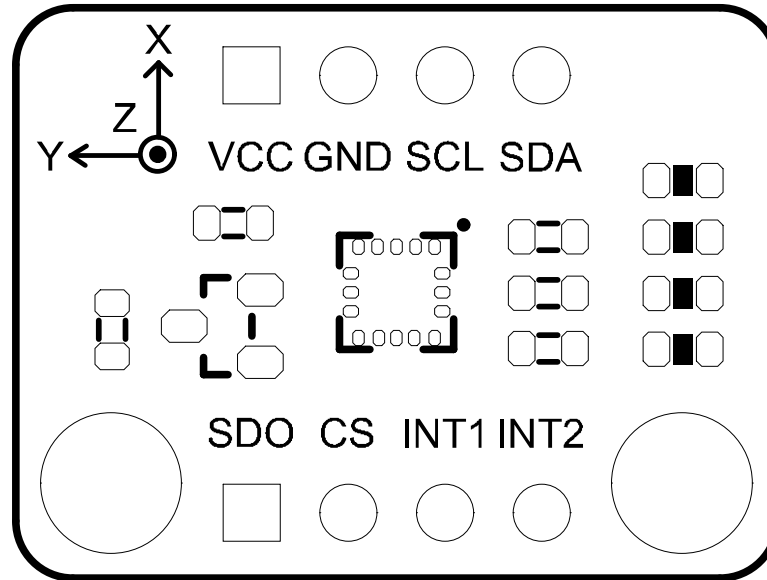
Top SolderMask: Black

Bottom SolderMask: Black

Date: 20210419

Top Silkscreen: White

Bottom Silkscreen: White



PCB Information

Engineer: Aaron

Date: 20210419

Name: [SEND407](V1.0)

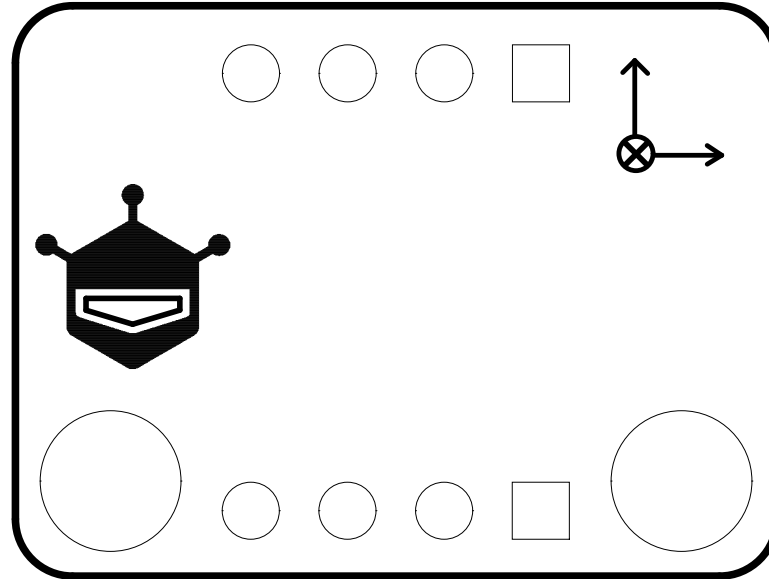
Top SolderMask: Black

Top Silkscreen: White

Thickness: 1.0mm

Bottom SolderMask: Black

Bottom Silkscreen: White



PCB Information

Name:[SEN0407](V1.0)

Thickness: 1.0mm

Engineer:Aaron

Top SolderMask: Black

Bottom SolderMask: Black

Date: 20210419

Top Silkscreen: White

Bottom Silkscreen: White