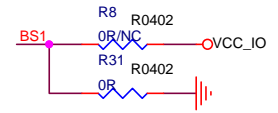
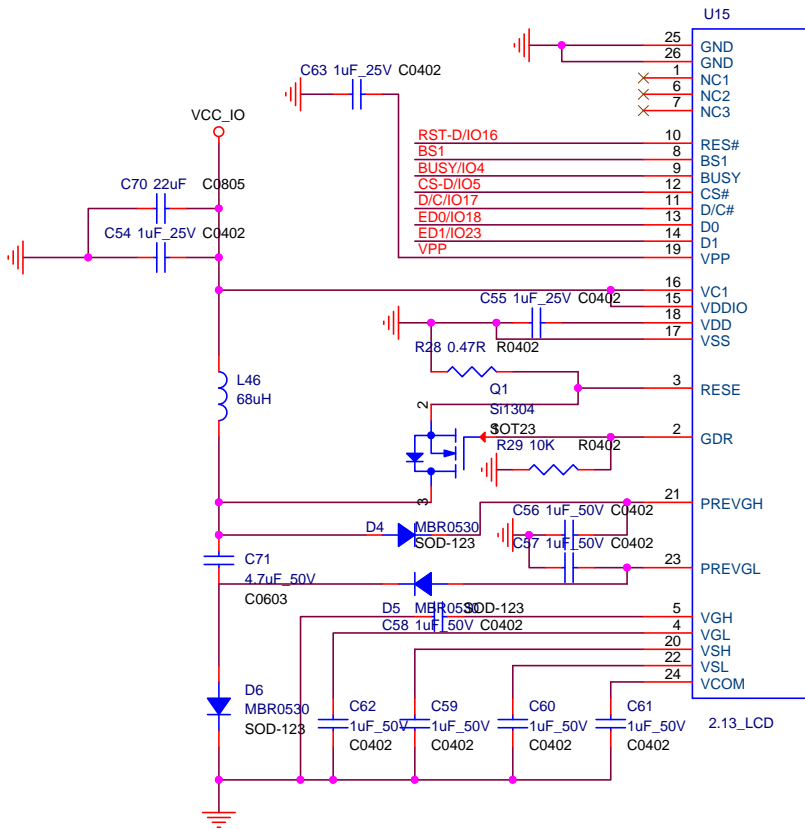
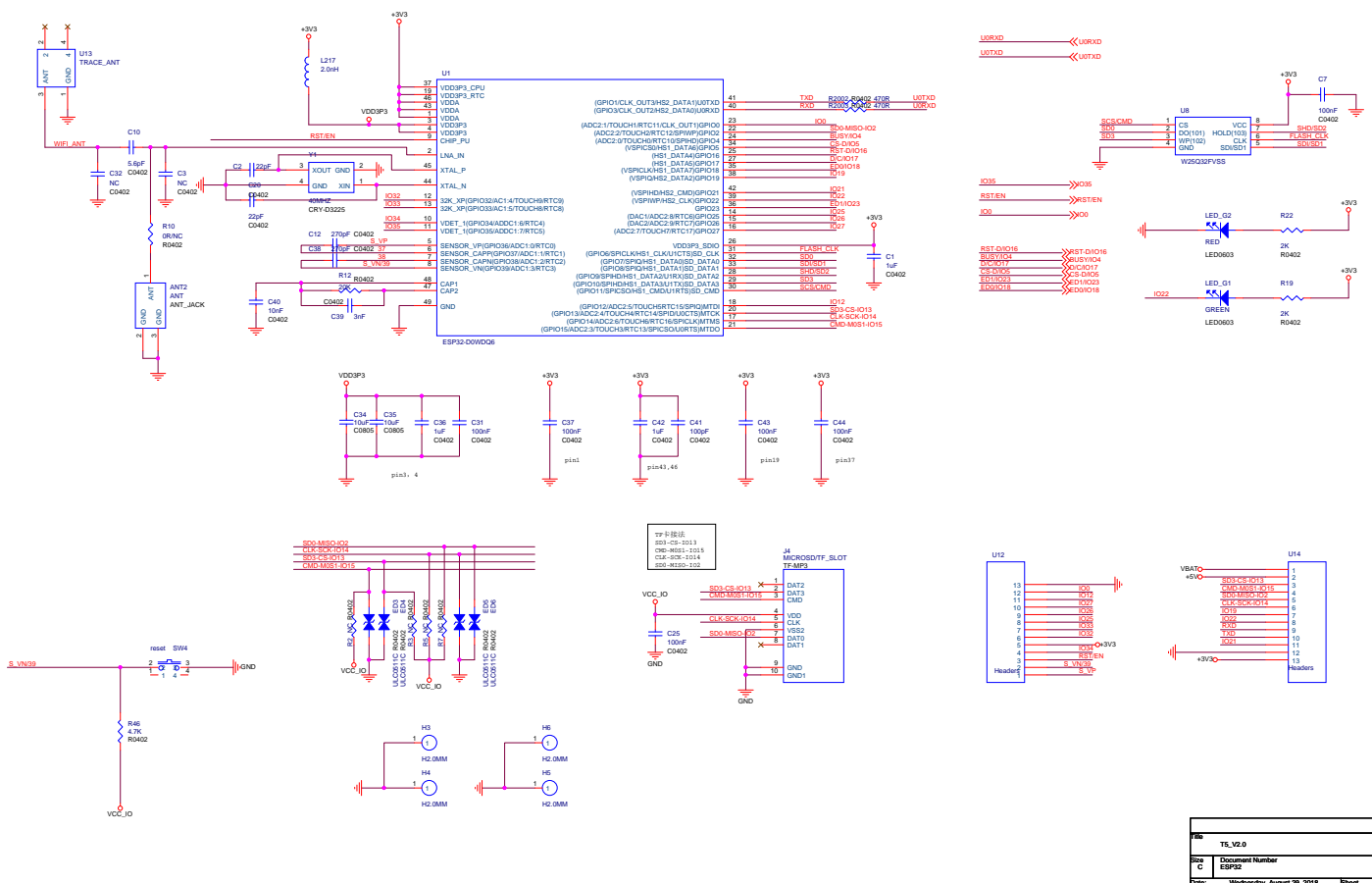


File	TS_V2.0	
Size	Document Number	Rev
C	POWER	V2.0
Date	Wed 25th August 2010	Page 1 of 3



Title		
T5_V2.0		
Size	Document Number	Rev
A	LCD2.13	V2.0
Date:	Wednesday, August 29, 2018	Sheet 2 of 3



File	TS_V2.0	
Size	Document Number	Rev
C	ESP32	V2.0
Date	Wed Aug 29 2018	Page 3 of 3