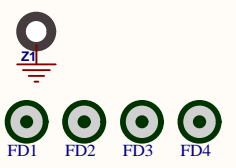
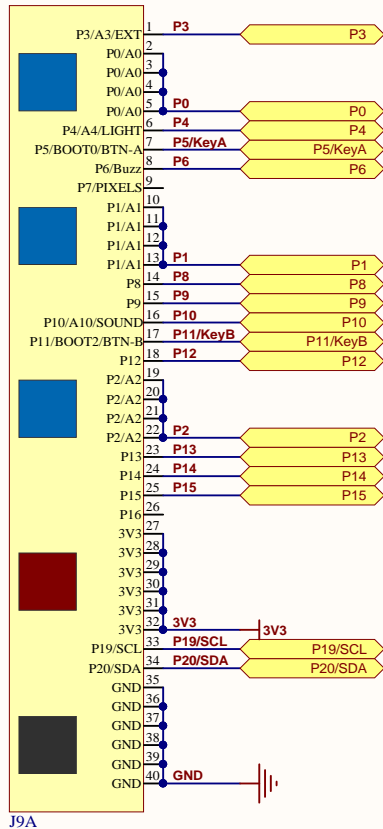


Strapping	
GPIO	Default
0	Pull UP
3	N/A
45	Pull Down
46	Pull Down

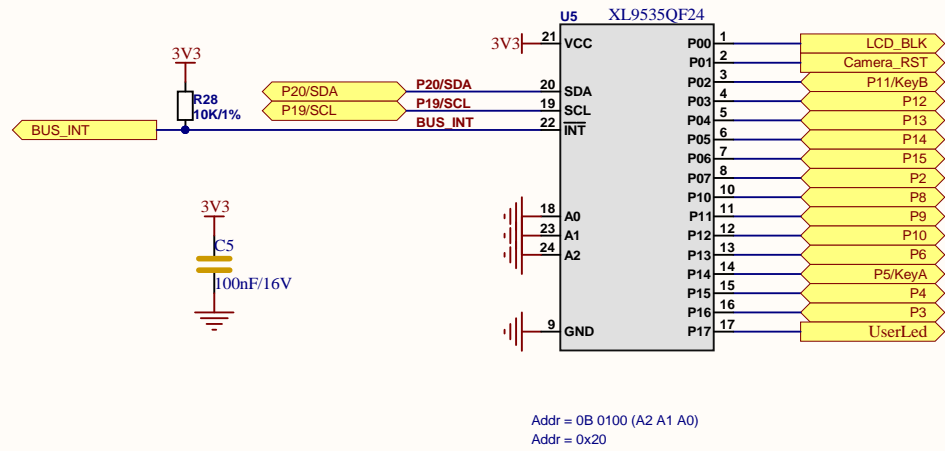




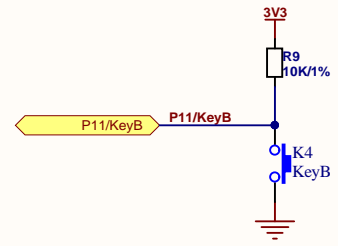
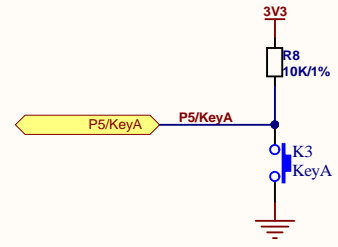
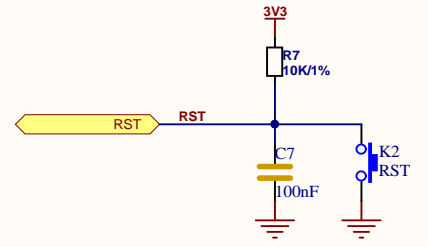
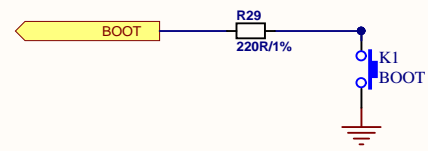
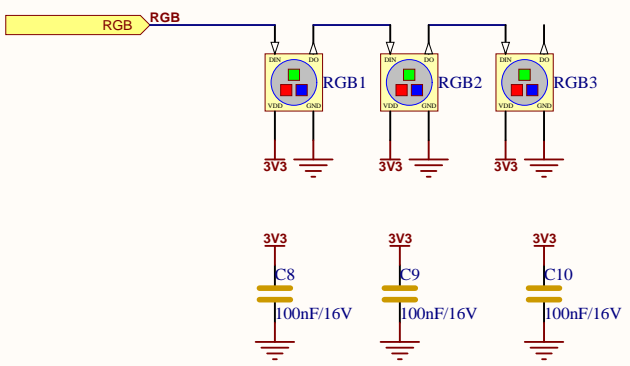
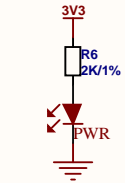
J9A



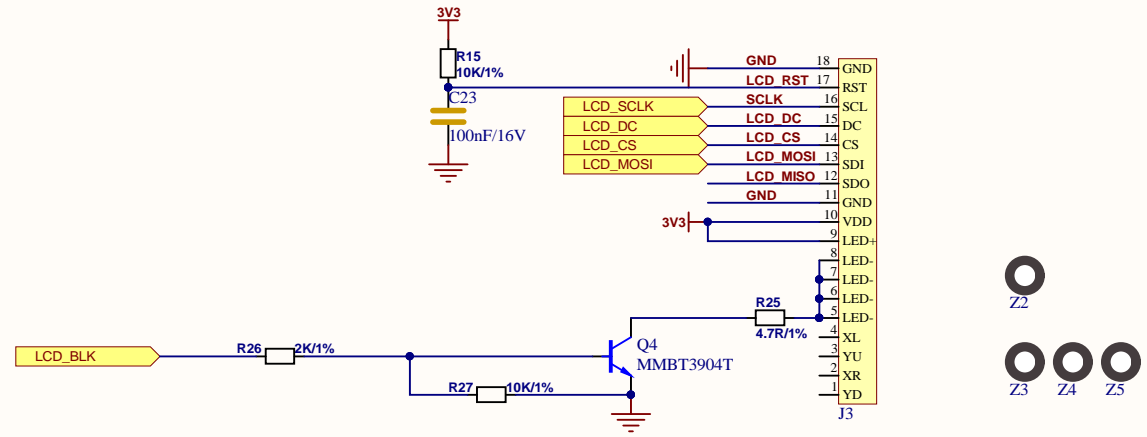
Title: Micro Bit Connect	Code:
Drawn: lfwag-CD	Revision: V1.0
Page: 2 of 11	Size: A4
Date: 2024/8/13	Time: 9:54:39



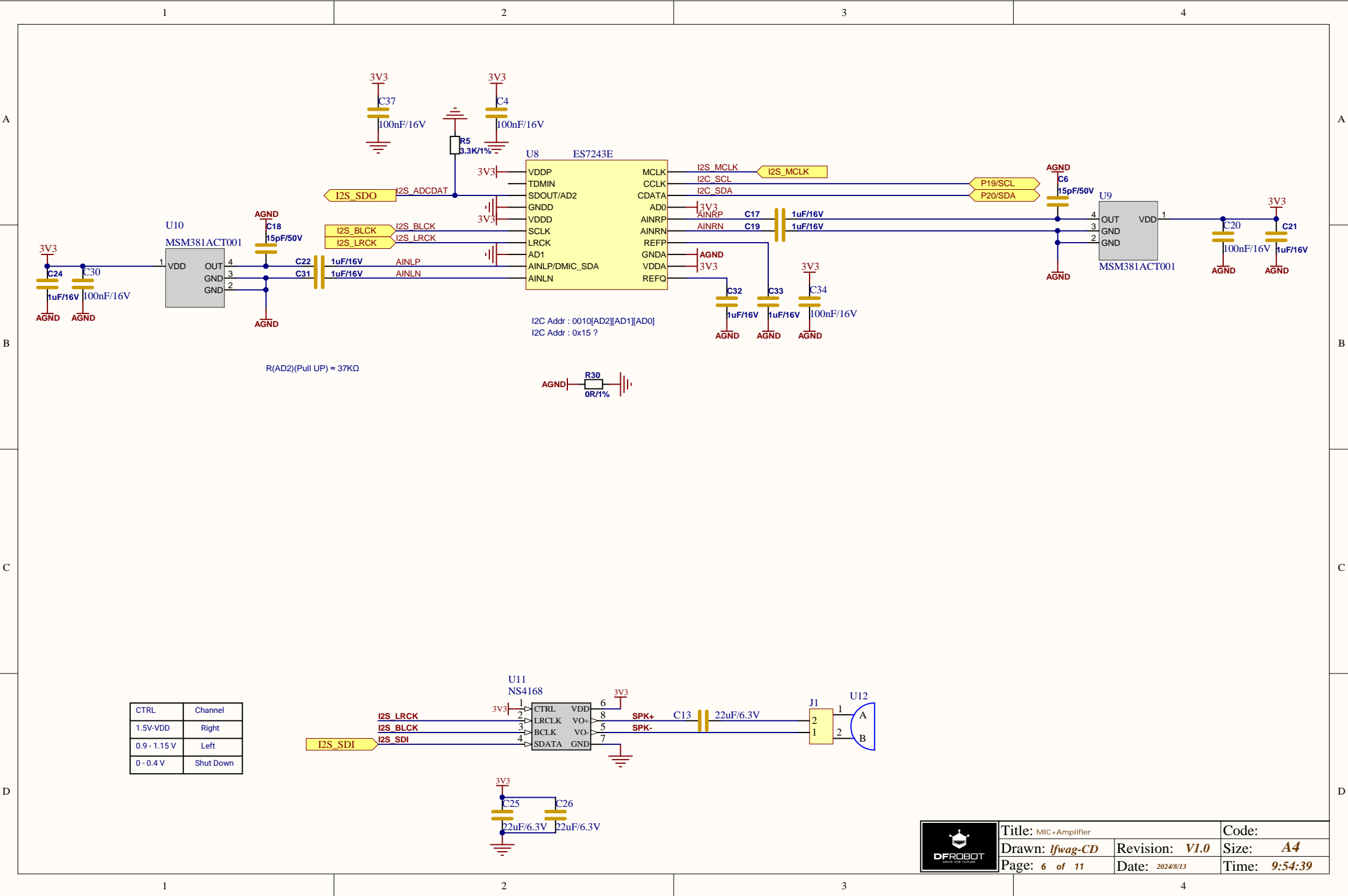
Title: IO Expansion	Code:
Drawn: lfwag-CD	Revision: V1.0
Page: 3 of 11	Size: A4
Date: 2024/8/13	Time: 9:54:39



Title: Peripheral	Code:
Drawn: lfwag-CD	Revision: V1.0
Page: 4 of 11	Date: 2024/8/13
Size: A4	Time: 9:54:39

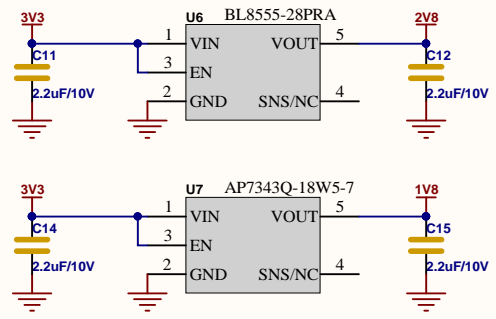


Title: LCD	Code:
Drawn: lfwag-CD	Revision: V1.0
Page: 5 of 11	Date: 2024/8/13
Size: A4	Time: 9:54:39

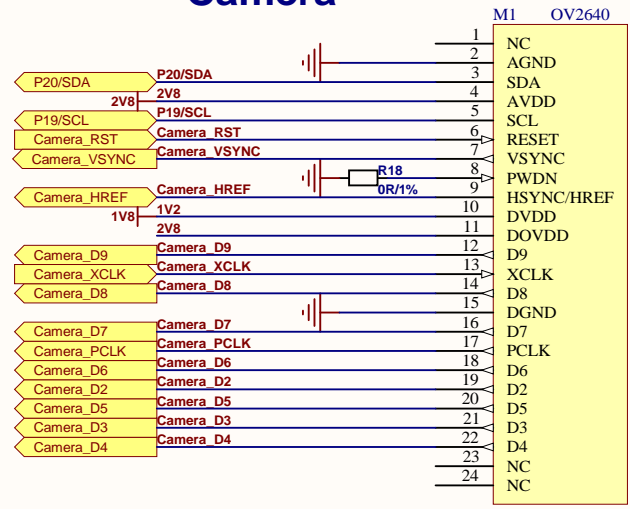


CTRL	Channel
1.5V-VDD	Right
0.9 - 1.15 V	Left
0 - 0.4 V	Shut Down

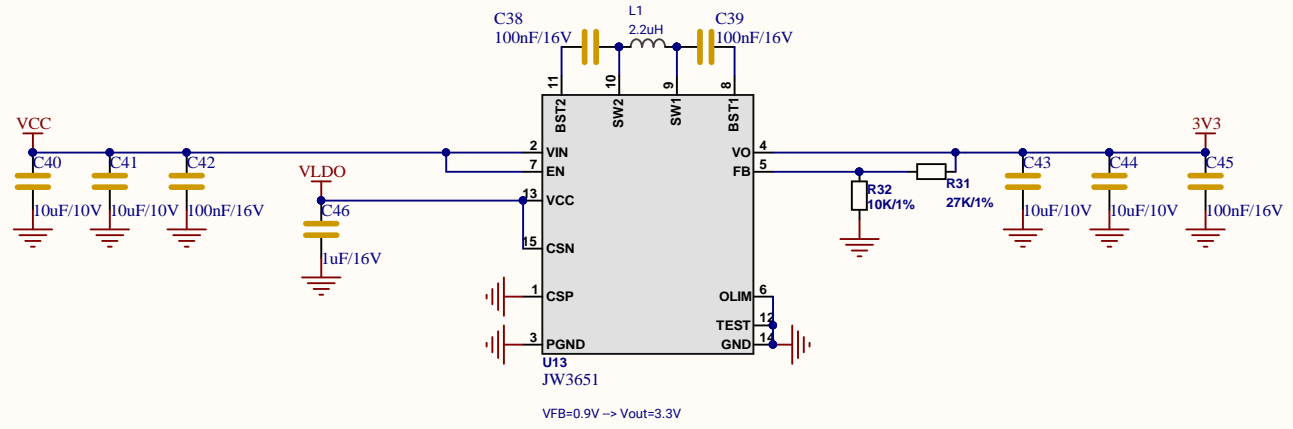
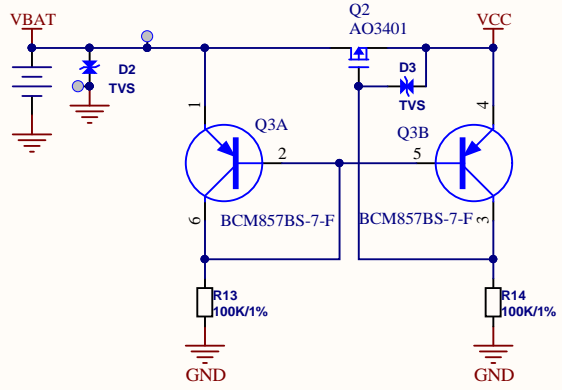
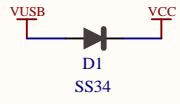




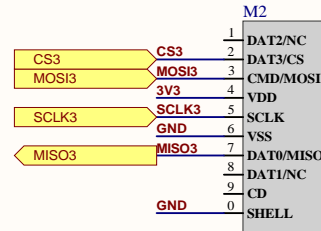
Camera



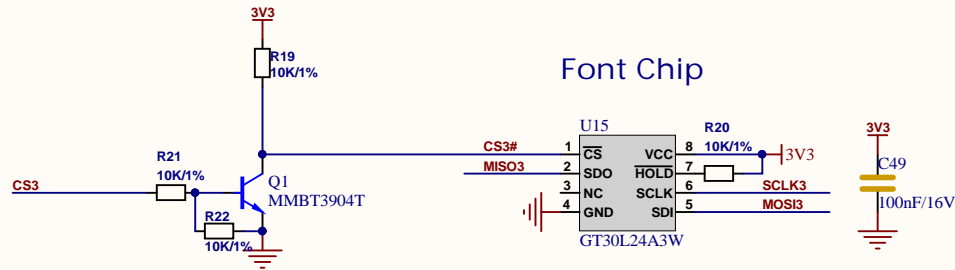
Title: OV2640	Code:
Drawn: lfwag-CD	Revision: V1.0
Page: 7 of 11	Date: 2024/8/13
Size: A4	Time: 9:54:39



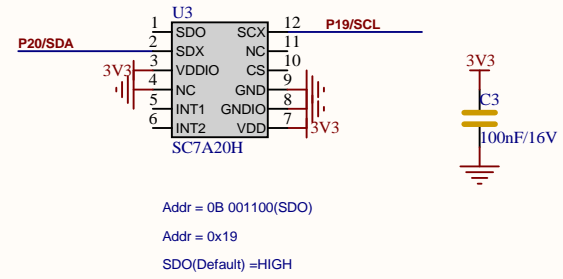
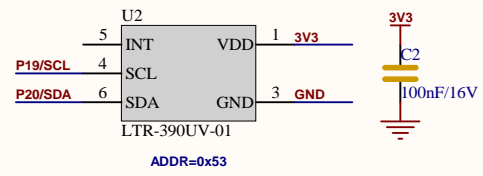
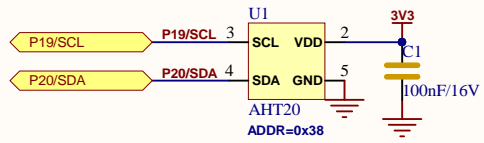
SD



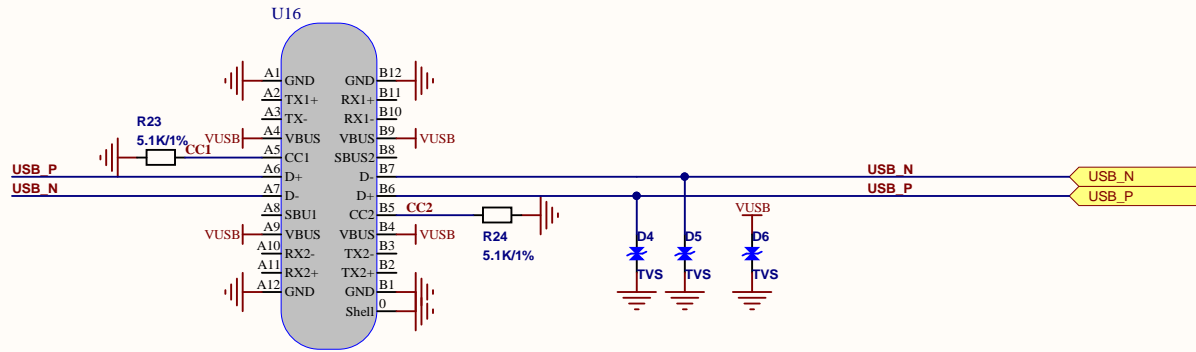
Font Chip



Title: TF Card & Font Chip	Code:
Drawn: lfwag-CD	Revision: V1.0
Page: 9 of 11	Date: 2024/8/13
Size: A4	Time: 9:54:39



Title: I2C slave	Code:
Drawn: lfwag-CD	Revision: V1.0
Page: 10 of 11	Date: 2024/8/13
Size: A4	Time: 9:54:39



Title: USB	Code:
Drawn: lfwag-CD	Revision: V1.0
Page: 11 of 11	Date: 2024/8/13
Size: A4	Time: 9:54:39