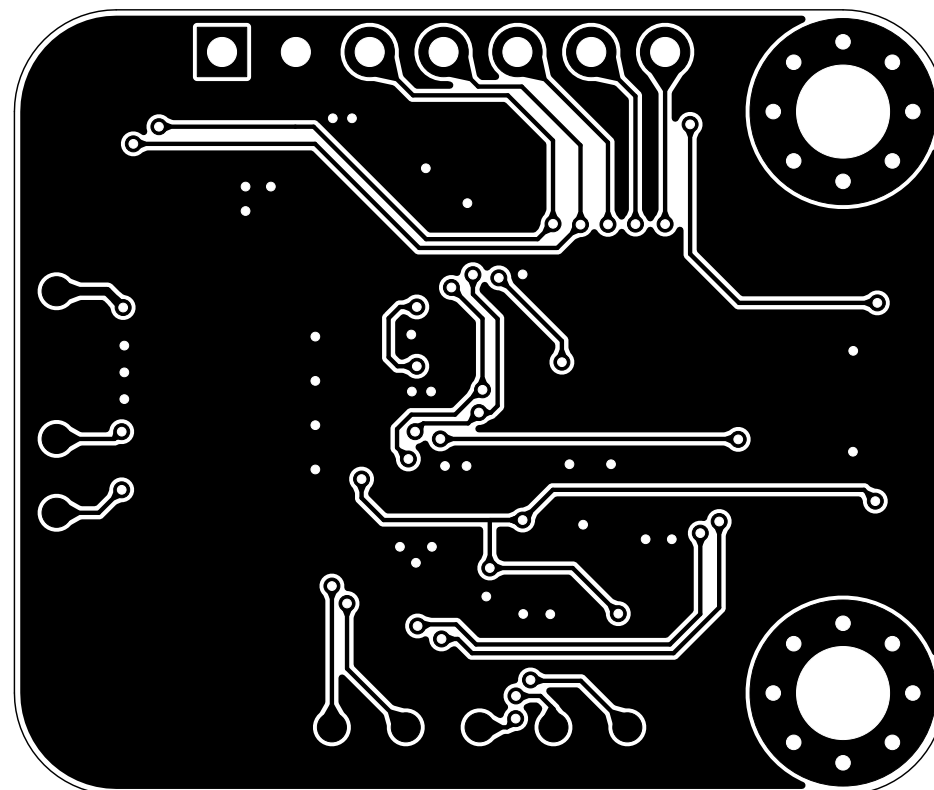
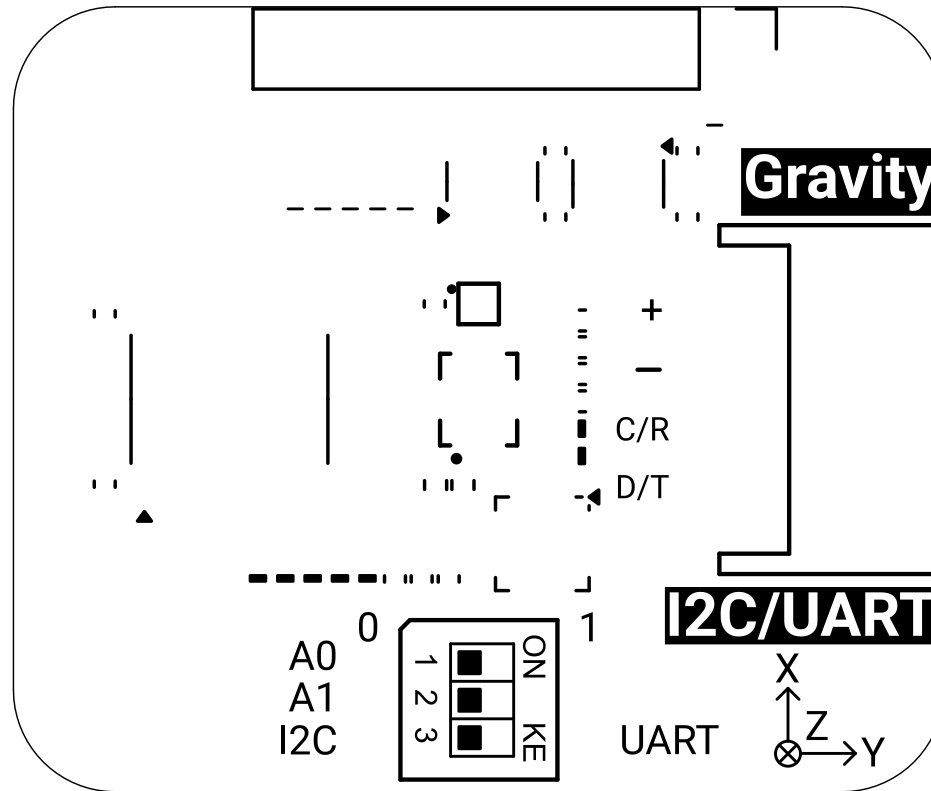


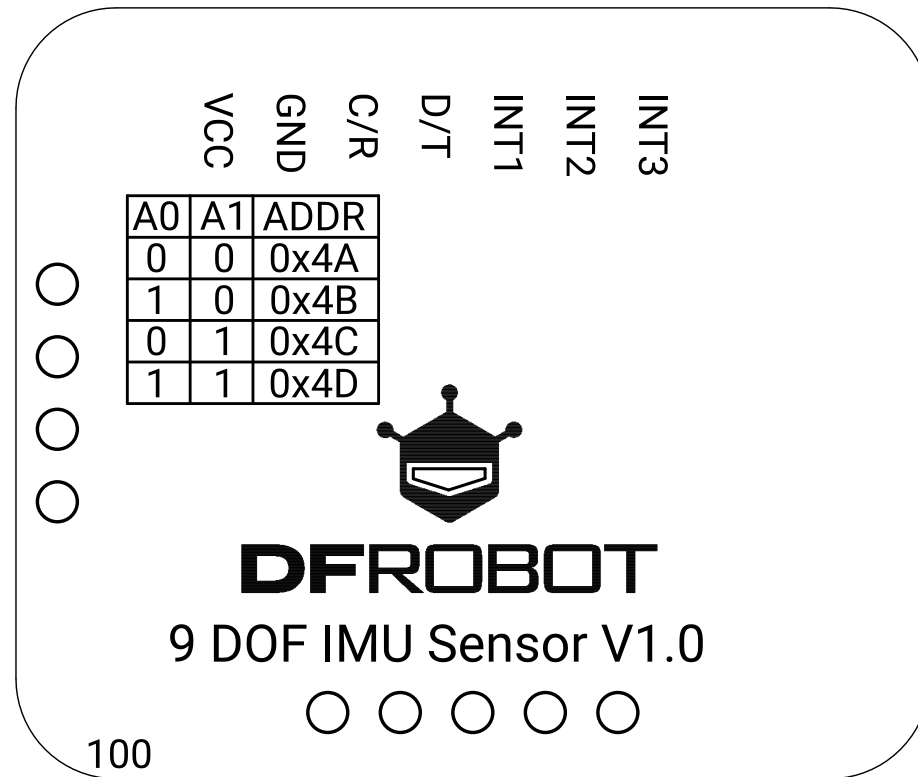
PCB Information Top_Layer 2026-03-18
SEN0694-V1.0.0-1.6mm-2 Layer-27*32mmmm
Top SolderMask:Black Bottom SolderMask:Black
Top Silkscreen:White Bottom Silkscreen:White



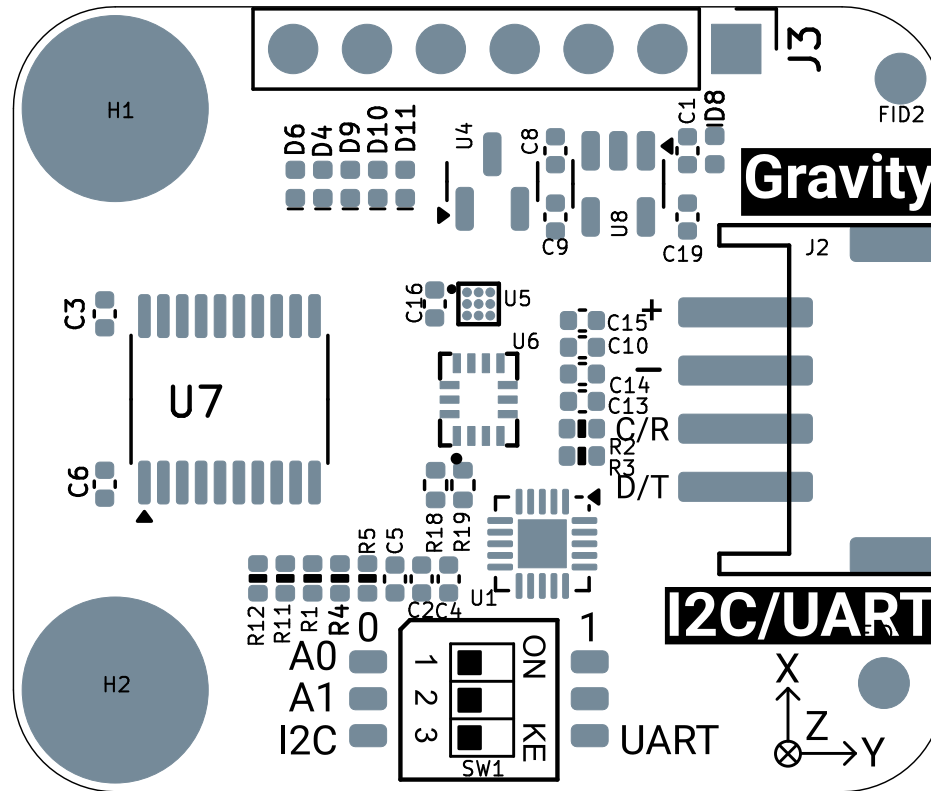
PCB Information Bottom_Layer 2026-03-18
SEN0694-V1.0.0-1.6mm-2 Layer-27*32mmmm
Top SolderMask:Black Bottom SolderMask:Black
Top Silkscreen:White Bottom Silkscreen:White



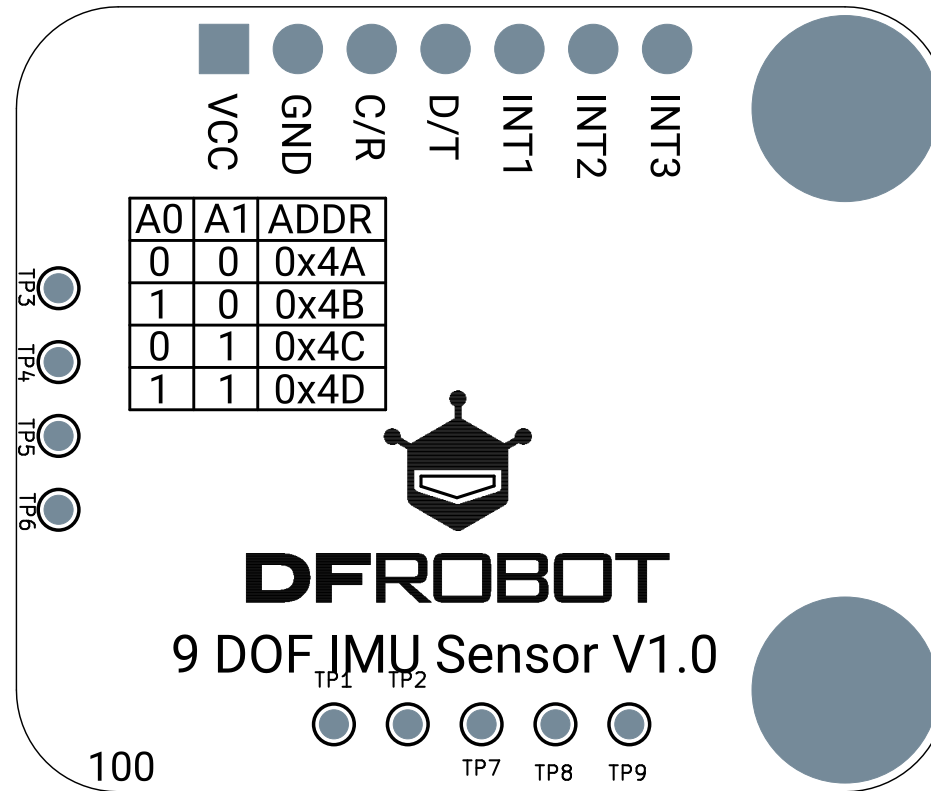
PCB Information Top_Silkscreen 2026-03-18
 SEN0694-V1.0.0-1.6mm-2 Layer-27*32mmmm
 Top SolderMask:Black Bottom SolderMask:Black
 Top Silkscreen:White Bottom Silkscreen:White



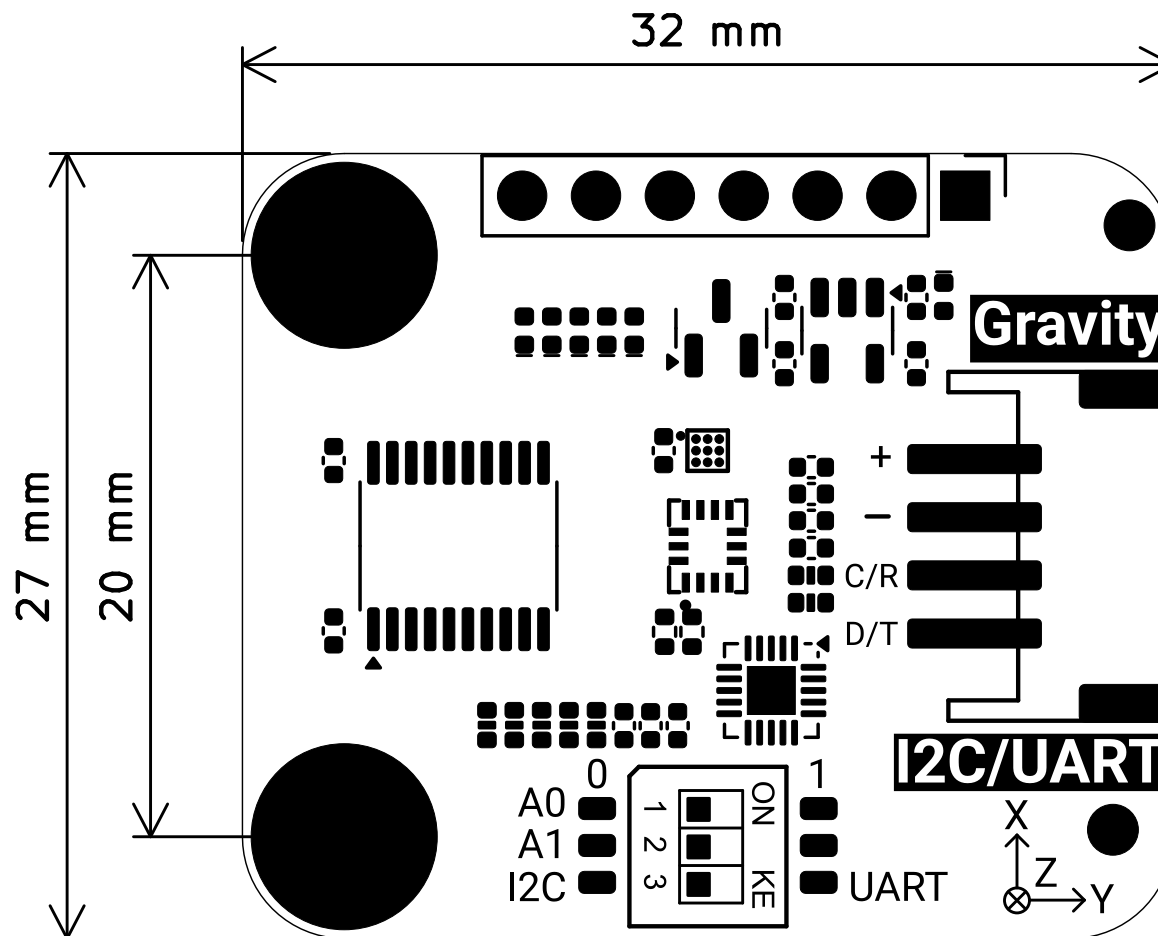
PCB Information Bottom_Silkscreen 2026-03-18
 SEN0694-V1.0.0-1.6mm-2 Layer-27*32mmmm
 Top SolderMask:Black Bottom SolderMask:Black
 Top Silkscreen:White Bottom Silkscreen:White



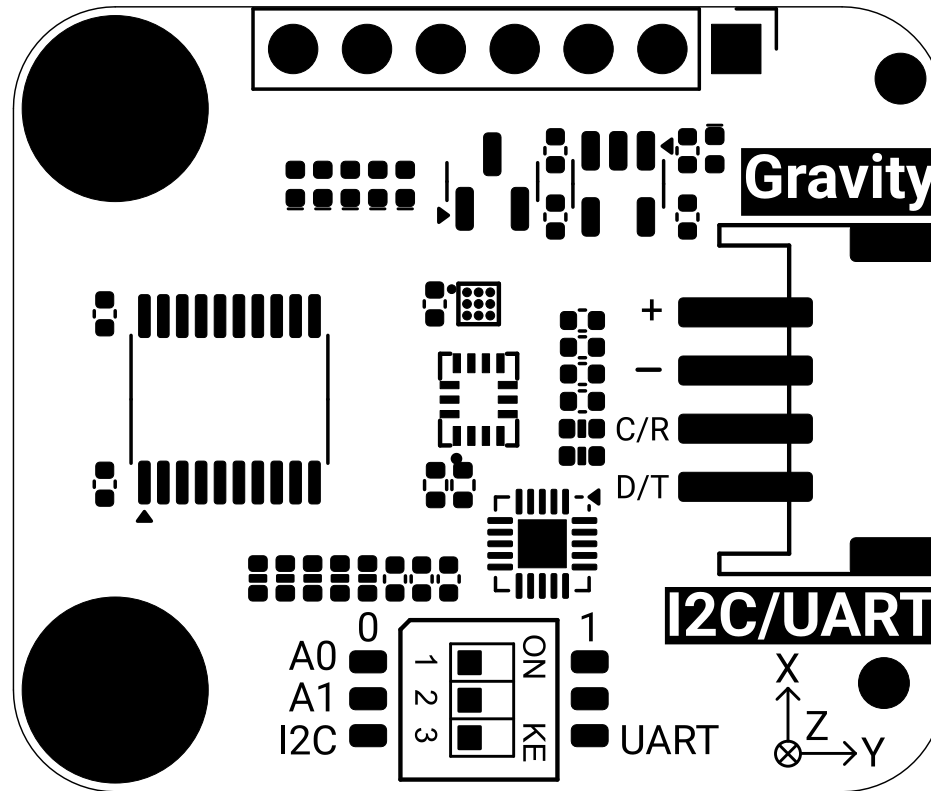
PCB Information Top_Location 2026-03-18
 SEN0694-V1.0.0-1.6mm-2 Layer-27*32mmmm
 Top SolderMask:Black Bottom SolderMask:Black
 Top Silkscreen:White Bottom Silkscreen:White



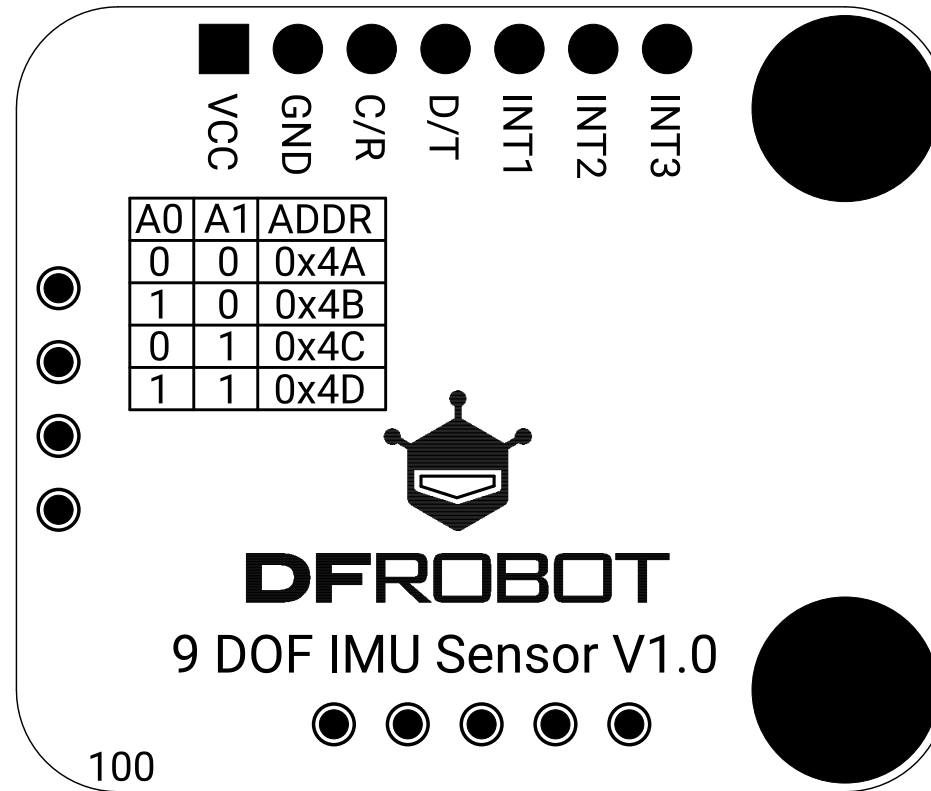
PCB Information Bottom_Location 2026-03-18
 SEN0694-V1.0.0-1.6mm-2 Layer-27*32mmmm
 Top SolderMask:Black Bottom SolderMask:Black
 Top Silkscreen:White Bottom Silkscreen:White



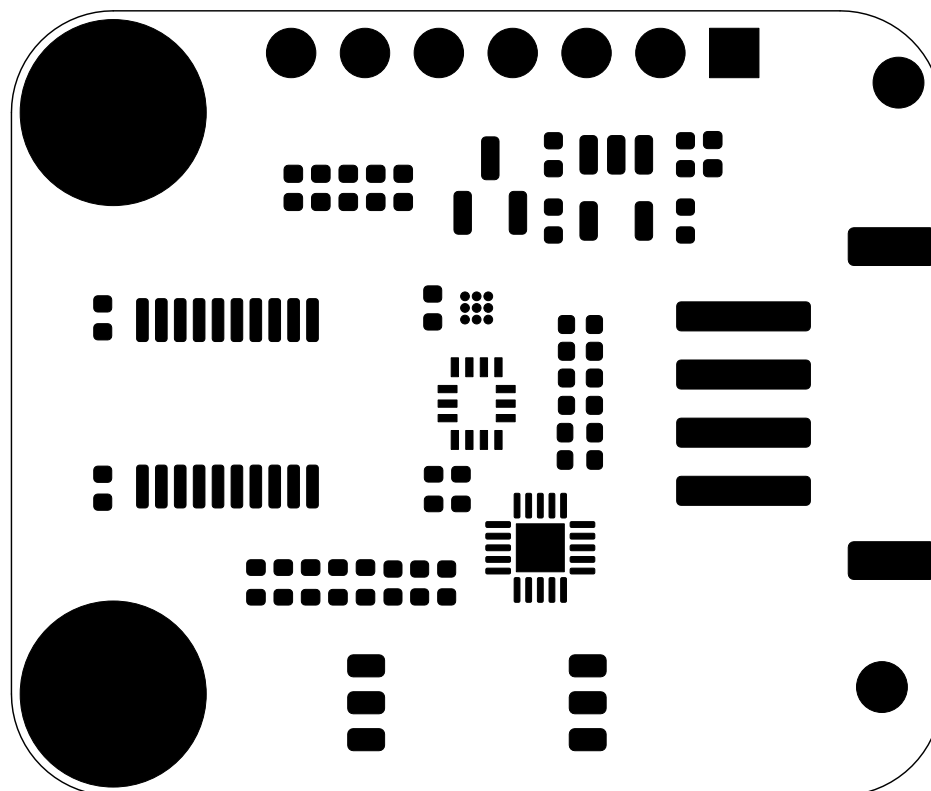
PCB Information Board_Size 2026-03-18
 SEN0694-V1.0.0-1.6mm-2 Layer-27*32mmmm
 Top SolderMask:Black Bottom SolderMask:Black
 Top Silkscreen:White Bottom Silkscreen:White



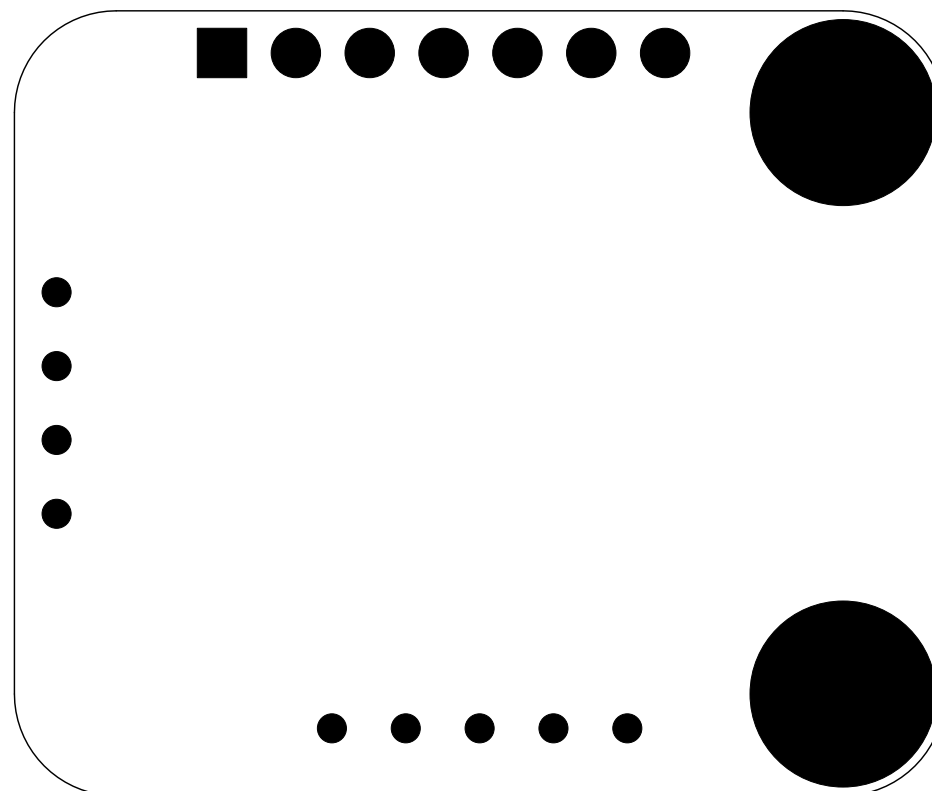
PCB Information Top_Testpoint 2026-03-18
SEN0694-V1.0.0-1.6mm-2 Layer-27*32mmmm
Top SolderMask:Black Bottom SolderMask:Black
Top Silkscreen:White Bottom Silkscreen:White



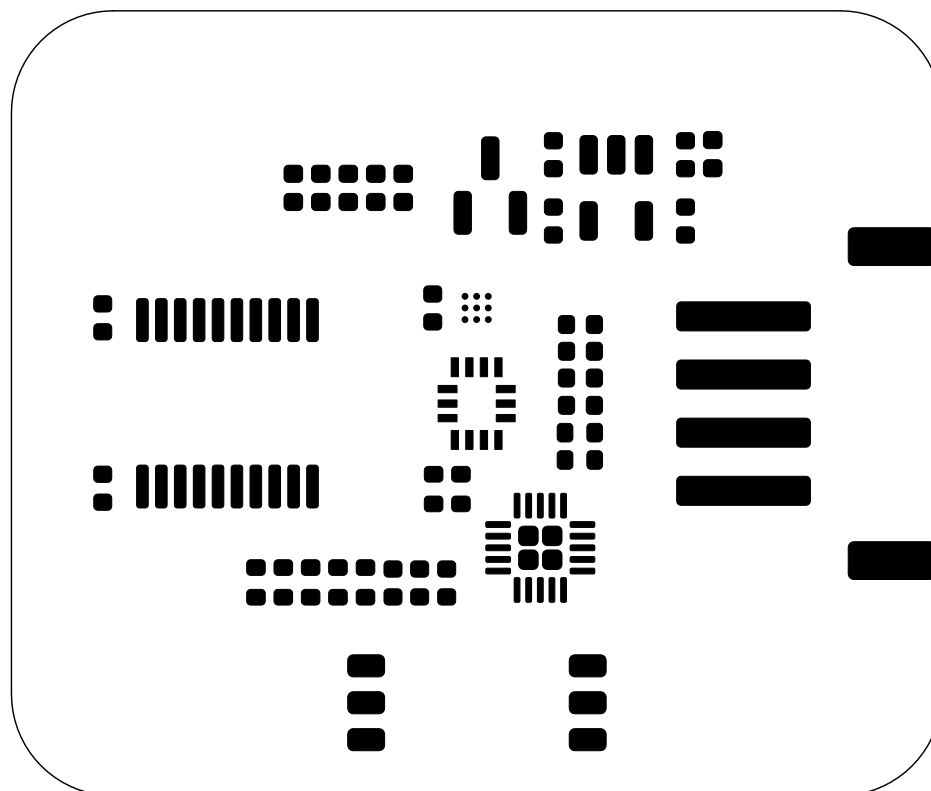
PCB Information Bottom_Testpoint 2026-03-18
 SEN0694-V1.0.0-1.6mm-2 Layer-27*32mmmm
 Top SolderMask:Black Bottom SolderMask:Black
 Top Silkscreen:White Bottom Silkscreen:White



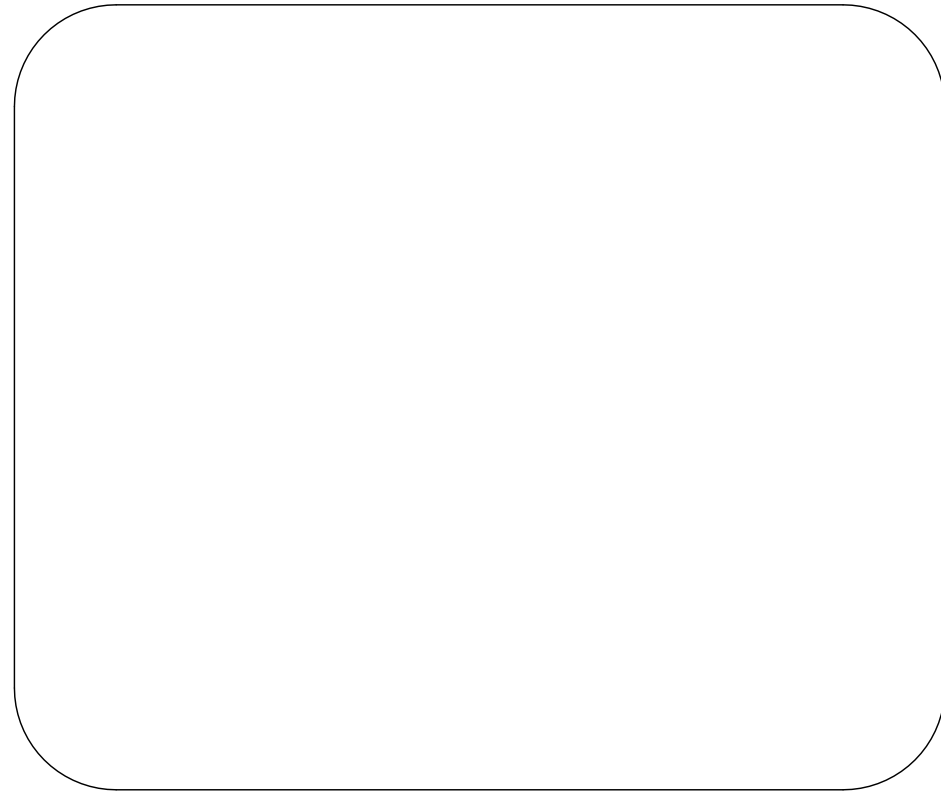
PCB Information Top_Musk 2026-03-18
SEN0694-V1.0.0-1.6mm-2 Layer-27*32mmmm
Top SolderMask:Black Bottom SolderMask:Black
Top Silkscreen:White Bottom Silkscreen:White



PCB Information Bottom_Musk 2026-03-18
SEN0694-V1.0.0-1.6mm-2 Layer-27*32mmmm
Top SolderMask:Black Bottom SolderMask:Black
Top Silkscreen:White Bottom Silkscreen:White



PCB Information Top_Paste 2026-03-18
SEN0694-V1.0.0-1.6mm-2 Layer-27*32mmmm
Top SolderMask:Black Bottom SolderMask:Black
Top Silkscreen:White Bottom Silkscreen:White



PCB Information Bottom_Paste 2026-03-18
SEN0694-V1.0.0-1.6mm-2 Layer-27*32mmmm
Top SolderMask:Black Bottom SolderMask:Black
Top Silkscreen:White Bottom Silkscreen:White